

---

**AMS Glass Front Outdoor Merchandiser  
Illustrated Parts Manual  
Model AMS 39-VRM**

**Table of Contents**

<u>SECTION</u>		<u>PAGE</u>
<b>INTRODUCTION</b>		
	Table of Contents	1
	General Introduction	3
	Manual Organization	3
	Merchandiser Identification	4
	Patent Disclosure	5
	Publication Notice	5
<b>CABINET PARTS</b>		
	Cabinet and Additional Parts	6
	Cabinet Covers And Screens	10
<b>CHILLER</b>		
	Chiller Parts – Side View	12
	Chiller Parts – Top View	14
<b>DOOR PARTS</b>		
	Door, Coin Bay	16
	Door, External Front and Sides	18
	Door, Hinges and Glass	20
	Door, Hopper with Sensit II System	22
	POS Display	24
<b>ELECTRICAL HARNESES</b>		26
<b>TRAYS AND PARTS</b>		
	1.5” Helix Tray	38
	Bottle Trays	40
	Helixes	42
	Universal (Food/Snack/Candy) Trays	44

THIS PAGE INTENTIONALLY LEFT BLANK

---

---

## GENERAL INTRODUCTION

The purpose of this manual is to give our customers a way of identifying major service parts for repair and replacement. The illustrations and parts list in this manual are for identification only. Some optional parts are also shown.

Illustrations of these major parts are keyed with our part numbers. The illustrations help identify the general design, position and orientation of these parts. The note section may also give important information.

Please refer to the section on merchandiser identification on the following pages. Without the model style and serial number it may be difficult to identify the required part.

Parts should be ordered from your distributor.

It is our intent to assist our customers with up-to-date documentation. However, this manual may not show all parts, variations or changes. Some parts may be shown out of scale. This manual is itself subject to change without notice. If any errors are found, please notify AMS so the correction can be included in later revisions. Engineering data and third party information are generally not included. The graphical data, group assembly data, parts, part assembly, parts breakout information and tabular data conveyed by this manual is proprietary and belongs to AMS, and holders without prior consent of or without knowledge of and by AMS must surrender this data immediately.

All measurements are in inches except where specified as Metric.

## MANUAL ORGANIZATION

This manual is divided into general sections. Each section is further divided into the various subsections or subassemblies. These lead off with one or more illustrations showing the parts and each part is identified with a number. Note that some part numbers are for assemblies fabricated as a unit at AMS and are replaceable only as a unit. Also, other part numbers identify optional parts which may or may not have been contracted for and factory installed by AMS.

The part number in the illustration is listed with the description or title for that part. In some instances there may be multiple parts to choose from. The correct service or repair part for the style of merchandiser must be selected. A quantities column in the list indicates quantities required.

There is a note section where additional information may be found.

This manual contains additional and new information for a vendor as currently manufactured. Older revisions of this manual should be kept with older vendors.

### MERCHANDISER IDENTIFICATION

When requesting service, replacement parts or technical assistance, please use the **Model Number** and the **Serial Number with Date Code**, found on the Serial Plate (Refer to Figure 1) affixed to the merchandiser. The plate is usually located inside the window. The information contained on this plate is necessary to determine what parts, kits, or maintenance apply to your vendor.

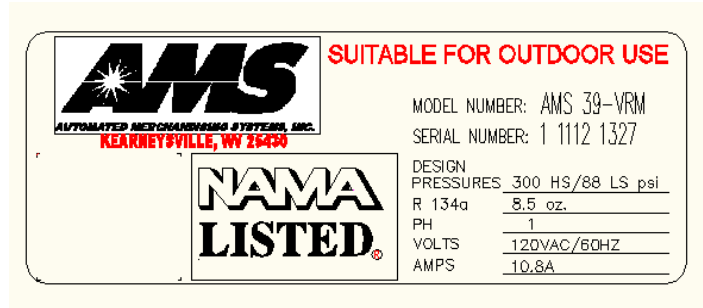
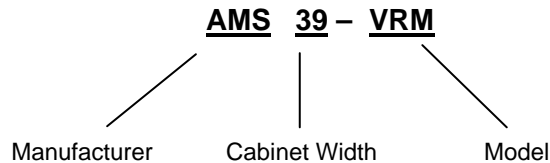


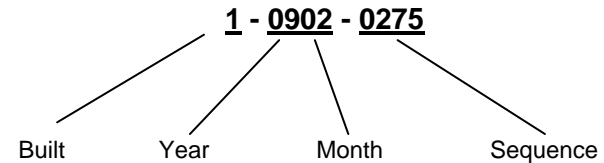
Figure 1. Typical Serial Plate

#### Model Number Breakdown



**AMS39-VRM** means it is an Automated Merchandising Systems, **39"** wide Vandal-Resistant Merchandiser.

#### Example of Serial Number Breakdown



On all AMS serial numbers, the first digit identifies where a merchandiser was manufactured. Those merchandisers built in the U.S. start with the number 1. Those merchandisers built in Mexico start with the number 2.

The next two digits identify the year of manufacturer. These numbers are **09** for (2009) and so forth.

The next two digits identify the month. The first month of the year is **01** and the last month is **12**.

---

The last four digits identify the numbers assigned to each merchandiser during assembly. Numbering starts with **0000** and continues through **9999**, whereupon these four digits start over. An example of the numbering system in use is as follows:

**1-0902-1156**

This merchandiser was manufactured at the Kearneysville, W.V. plant in 2009, in February, and was the 1156<sup>th</sup> merchandiser manufactured.

**PATENT DISCLOSURE**

This merchandiser and/or certain of its components are covered by one or more of the following U.S. and international patents;

U.S. PATENTS: 6,041,962; 6,145,699; 6,202,888; 6,384,402; 6,520,373; 6,708,079; 6,794,634; 7,191,915; 7,446,302;  
7,343,220; 7,742,837

CANADIAN PATENT: 2,329,314.

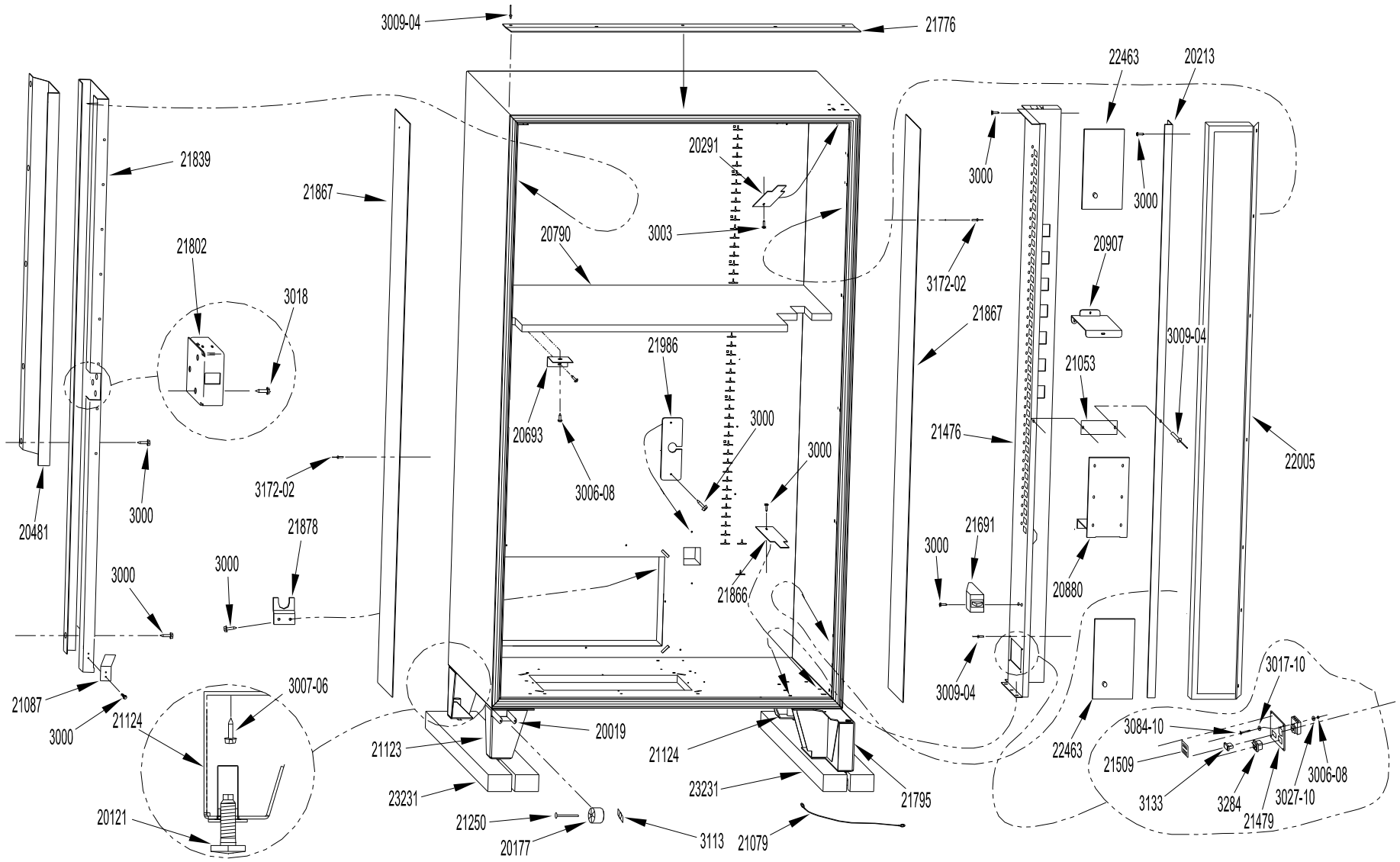
MEXICO PATENT: 230714.

**PUBLICATION NOTICE**

L0088, Revision F, ECN 2670, 12/23/11

It is our intent to assist our customers with up-to-date documentation: however, this manual may not contain all updates and is subject to revision without notice. Please contact our Service Department with your requests or comments.

CABINET AND ADDITIONAL PARTS ILLUSTRATION



CABINET AND ADDITIONAL PARTS LIST

PART NO.	PART DESCRIPTION	QTY.	NOTES
3000	Sheet Metal Screw TEK #8-18	46	(Estimated Qty)
3006-08	Nut, 8-32, Hex, Machine Screw	9	For Attaching Power Harness
3007-06	Screw, 5/16-18, Type F	16	4 Per Leg
3009-04	Rivet, Pop, Steel, 1/8 x 1/4 Grip	10	(Estimated Qty) RECHECK QTY
3017-10	Washer, #10 SAE Flat	4	For Power Harness and Door Stop Cable
3018	Sheet Metal Screw, 1/4"	3	
3061-06	Screw, 10-32 x 3/4 Phillips Pan Head	2	For Door Stop Cable
3060-10	Nut, 10-32 W/Nylon Insert	2	For Door Stop Cable
3067	Spacer, .192 ID x .125 Length x 3/8 Dia.	2	For Door Stop Cable
3084-10	Phillips Head 3-32 Screw Self-Tap, Type 23	1	For Power Harness
3113	Pushnut, 3/16" Stud	2	
3133	Fuse Holder	1	For 3AG Fast Blow Fuse Only
3172-02	1/4" Dia Pop Rivet, Aluminum, Natural, 1/4" Grip Length	12	Use For Attaching Anti-Vandal Plates
3284	Power Switch	1	For 24V Circuit Control
20019	Leg, Roller Bracket	1	
20121	Leg, Leveling	5	Cabinet Must Be Level, Using All Legs
20177	Roller, Molded (Nylon)	1	
20213	Flange, Right Vertical	1	
20291	Cover Plate, Hinge Hole, Ver. 2	1	For top hinge
20481	Extension, Left Vertical Rail Mount	1	
20693	Bracket, 1" Angle	4	For attaching 20790 Bulkhead
20790	Assembly, Bulkhead, Visi-Combo Cabinet, 39"	1	For Visi-Combo Vendors Only
20880	Cover Plate, Transformer, Low Temp	1	For Visi-Combo Vendors Only
20907	Bulkhead, Right Rail Mount, Low Temp	1	For Visi-Combo Vendors Only
21053	Stiffener, Right Vertical Rail Mount	1	
21079	Cable Assembly, Door Stop, Modified	1	
21087	Plate, Door Switch Spring	1	
21123	Assembly, Leg, Left Front with Thread Covers	1	
21124	Assembly Leg, Rear with Thread Covers	2	
21250	Shaft, Headed Roller (Zinc Plated)	1	
21476	Rail Mount, Right Vertical, Ver. 2	1	
21479	Plate, Fuse Holder, Socket And Power Switch Mount	1	
21509	Decal, 24V Fuse, Ver. 2	1	
21691	Enclosure, Fan Switch, Ver. 2	1	Uses Normally Open Switch, P/N 3199

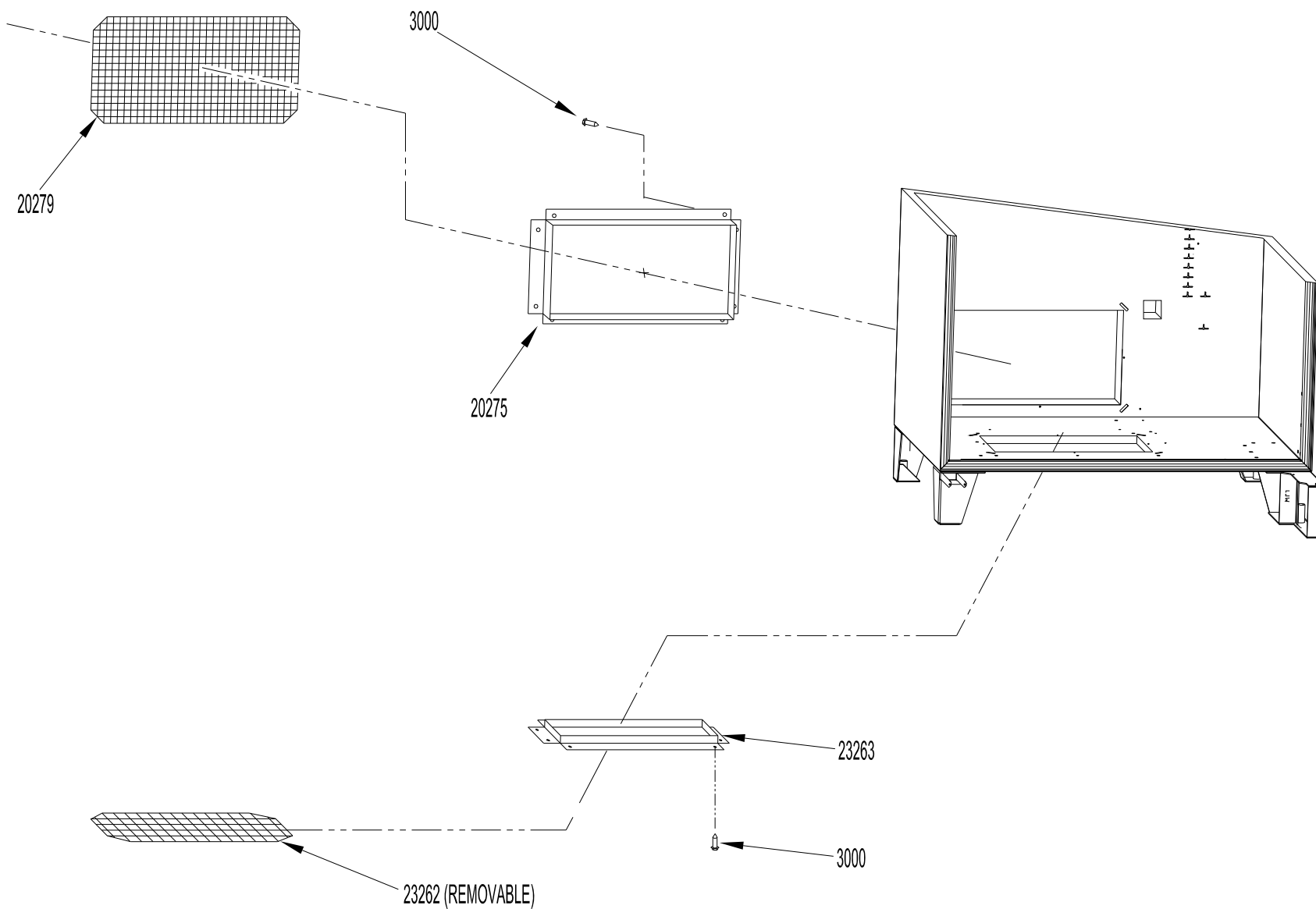
21776	Rain Cover Plate, Outer	1	
21795	Assembly, Leg, Front Hinge With Thread Cover, Outdoor vendor	1	
21802	Assembly, Lock Flange	1	
21815	Harness, Power Distribution, Outdoor Vendor	1	
21839	Rail Mount, Left Vertical, Use W/Welded Lock Flange	1	
21862	Assembly, Cabinet, Outdoor Vendor (39")	1	
21866	Cover Plate, Hinge Hole	1	For Bottom Leg
21867	Anti-Vandal Plate, Inner, Outdoor Vendor	2	
21878	Plate, Grommet, Wrapper Back, Outdoor Vendor	1	
21986	Plate, Wire Bushing, Tank Back	1	
22005	Assembly, Right Rail Mount Door	1	
22463	Cover Plate, Fixed, Right Column, 24VDC Power Supply	1	
23231	Shipping Board	2	



---

THIS PAGE INTENTIONALLY LEFT BLANK

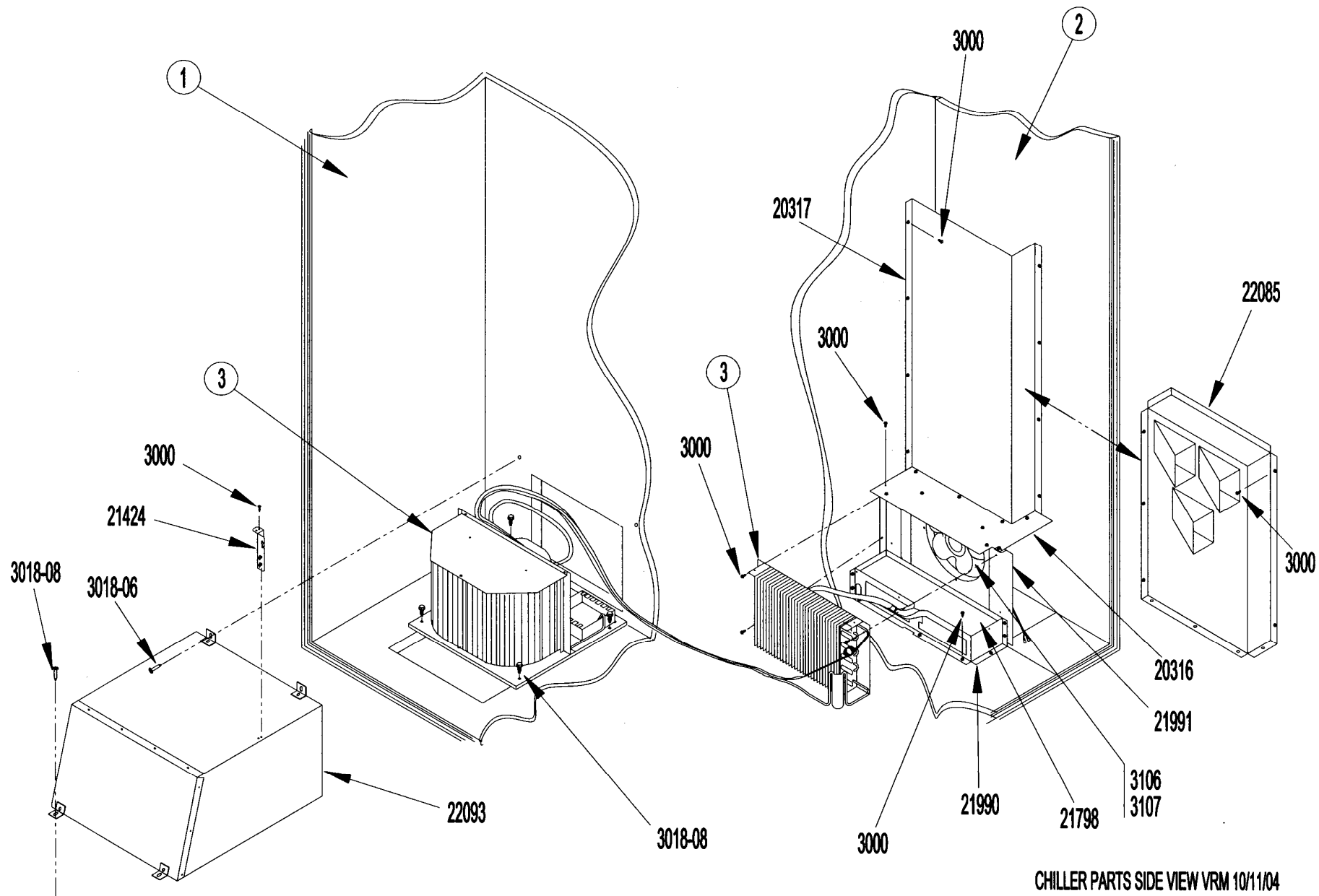
### CABINET SCREENS ILLUSTRATION



CABINET SCREENS PARTS LIST

PART NO.	PART DESCRIPTION	QTY.	NOTES
(1)	VRM 39" Cabinet	1	Cabinet Wrapper - Outside
(2)	VRM 39" Cabinet	1	Cabinet Tank - Inside
3000	Screw, Sheet Metal, TEK 8-18	8	Quantities For One Trim
20275	Trim, Rear Chiller Hole 39"	1	Steel Trim Holds Screen
20279	Screen, Rear Chiller Hole, 4 Mesh	1	1/8 x 1/8 Welded Galvanized
23262	Assembly, Condenser Screen	1	Welded Galvanized Screen in Steel Frame
23263	Assembly, Condenser Screen Holder	1	Steel Frame Holds Condenser Screen Assembly

CHILLER PARTS ILLUSTRATION - SIDE VIEW



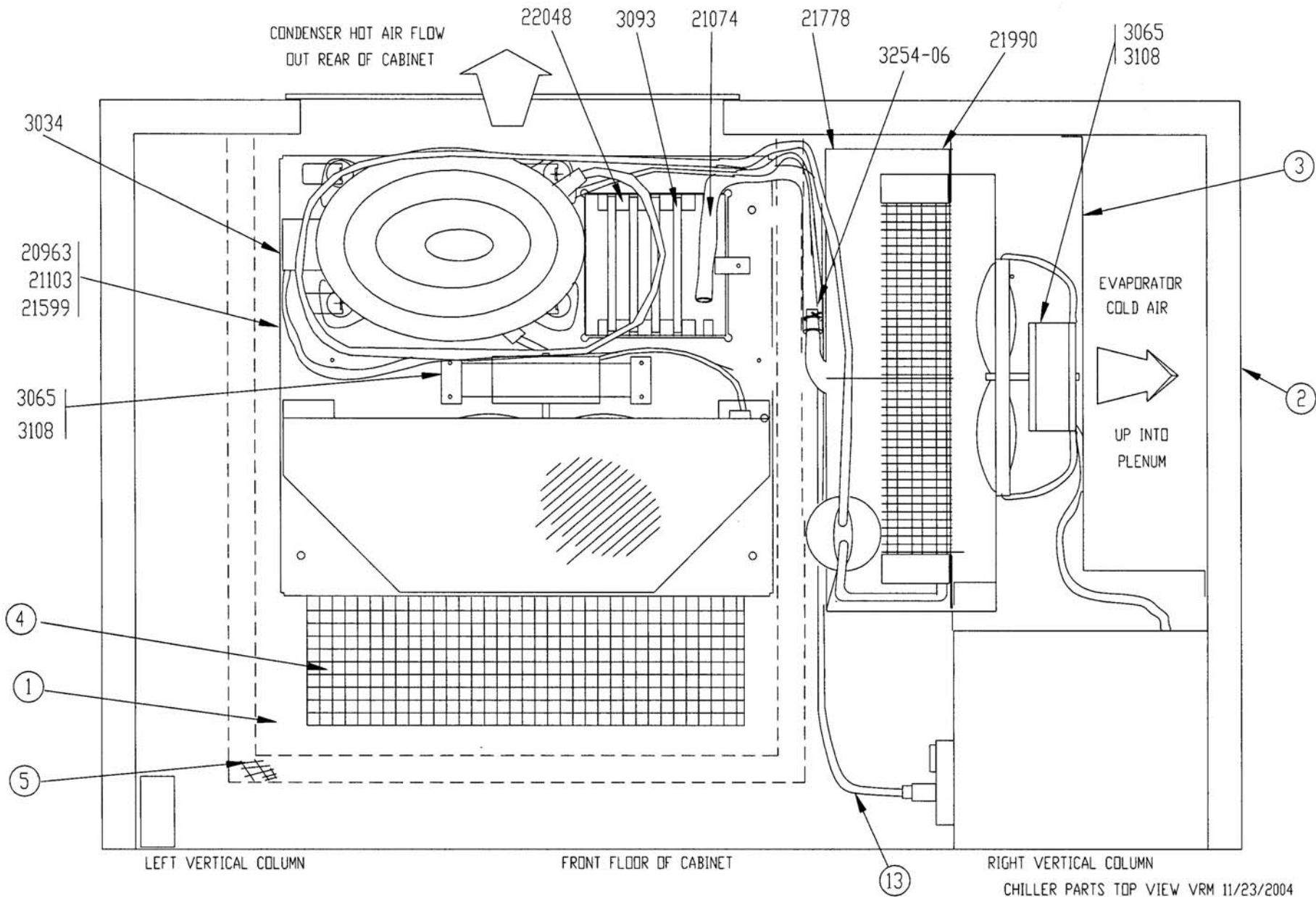
CHILLER PARTS SIDE VIEW VRM 10/11/04

CHILLER PARTS LIST - SIDE VIEW

PART NO.	PART DESCRIPTION	QTY.	NOTES (See Note A Below)
1	Cabinet, Left Side	---	For Reference
2	Cabinet, Right Side	---	For Reference
3	Assembly, Chiller Unit (W/Condenser & Evaporator)	1	For Reference, See Note A and Chiller Top View
3000	Sheet Metal Screw TEK #8-18	46	(Estimated Qty)
3018-06	Screws, ¼ x ¾, Self Tapping, Hex Head	2	For Attaching To Walls
3018-08	Screws, ¼ x 1, Self Tapping, Hex Head	6	For Attaching To Floor
3106	Evaporator Fan/Motor Assembly, 220V, 50Hz, 1 Phase	1	Use Correct Voltage!
3107	Evaporator Fan/Motor Assembly, 110V, 60Hz, 1 Phase		
20316	Evaporator Cover Plate	1	
20317	Evaporator Plenum	1	Standard Plenum
21424	Bracket, Temperature Sensor, Sensit II	1	
21778	Pan, ½" Evaporator Drain	1	
21990	Base, ½" Evaporator Drain Pan	1	
21991	Evaporator Mounting Panel	1	
22085	Assembly, Plenum, Visi-Combo	1	For Visi-Combo Vendors Only
22093	Assembly, Chiller Housing (39"),	1	

NOTE A: Chiller assemblies are charged with refrigerant and are replaceable only as an assembly.

### CHILLER PARTS ILLUSTRATION - TOP VIEW

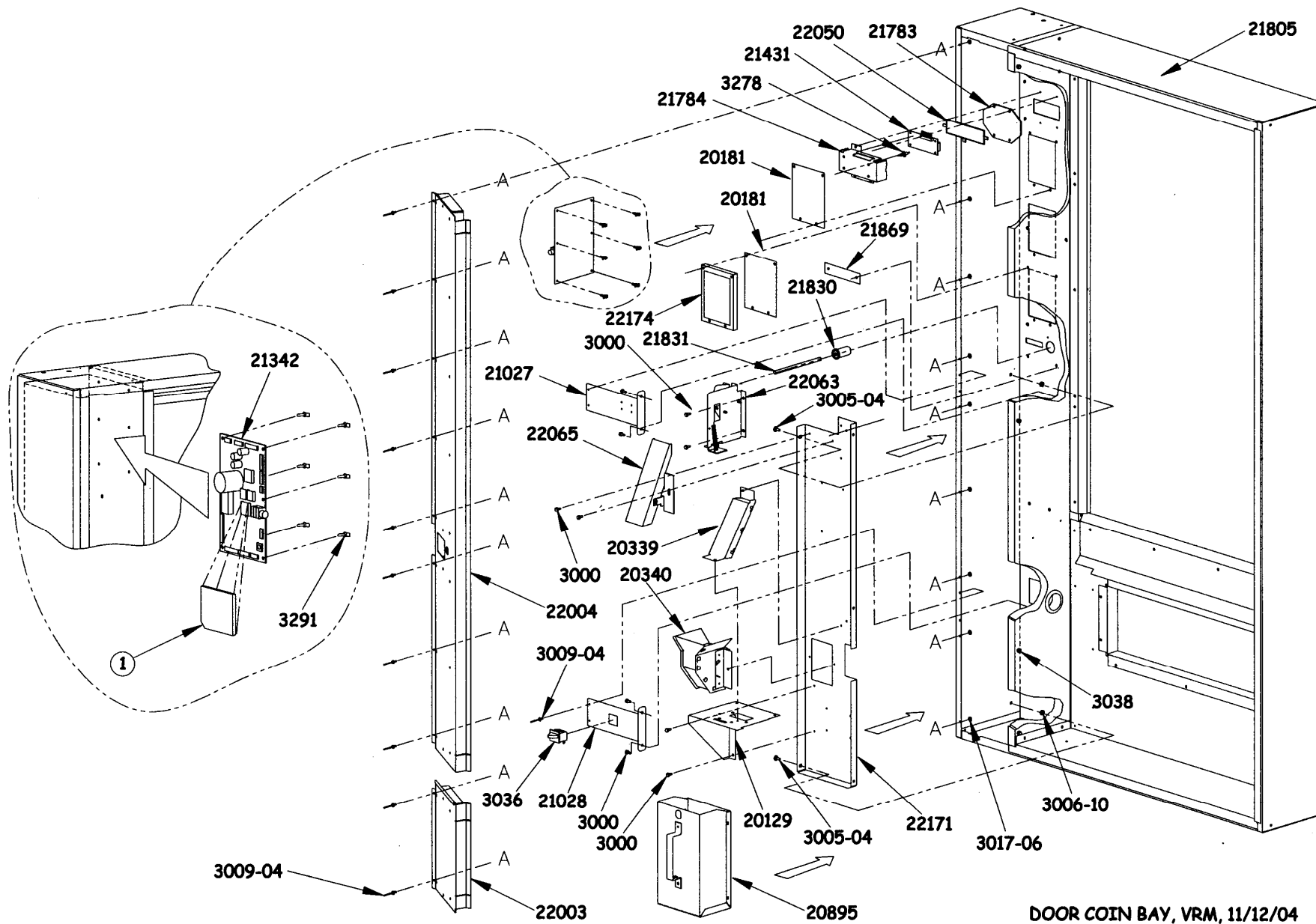


CHILLER PARTS LIST - TOP VIEW

PART NO.	PART DESCRIPTION	QTY.	NOTES (See Note A Below)
1	Cabinet Floor	1	For Reference
2	Cabinet Wall, Right Side	1	For Reference
3	Cold Air Plenum Wall	1	For Reference
4	Condenser Air Inlet Screen Under Chiller	1	For Reference
5	Contact Area of Cabinet Chiller Housing Bottom Seal	1	For Reference
3034	Split Insulation Tubing	1	Heat Exchanger Tubing Insulation, 7 Foot
3059	Drain Tubing	1	Drains Evaporator Condensate
3065	Fan, Condenser Assembly, 220V, 50Hz, 1 Phase	1	Check Voltage!
3093	Sponge (Condenser Drain Pan)	4	
3106	Evaporator Fan/Motor Assembly, 220V, 50Hz, 1 Phase	1	Check Voltage!
3107	Evaporator Fan/Motor Assembly, 110V, 60Hz, 1 Phase		
3108	Fan, Condenser Assembly, 110V, 60Hz, 1 Phase	1	Check Voltage!
3254-06	Tubing Clamp	1	Clamps Tube to Evaporator Pan Drain
20144	Refrigeration Harness	1	Use With Both 110V or 220V Systems
20963	Assembly, 1/2 Plus H.P. Chiller, 120V (39"), AMS (WV)	1	Assembly Only
21074	Tubing, Clear Flexible Vinyl	1	17" Long
21103	Assembly, 1/2 Plus H.P. Chiller, 240V (39"), AMS (WV)	1	Assembly Only
21599	Assembly, 1/2 Plus H.P. Chiller, 120V (39"), AMSINT (MEX)	1	Assembly Only
21778	Pan, 1/2" Evaporator Drain	1	
21990	Base, 1/2" Evaporator Drain Pan	1	
22048	Condenser Drain Pan	1	

NOTE A: Chiller assemblies are charged with refrigerant and are replaceable only as an assembly.

### DOOR, COIN BAY ILLUSTRATION



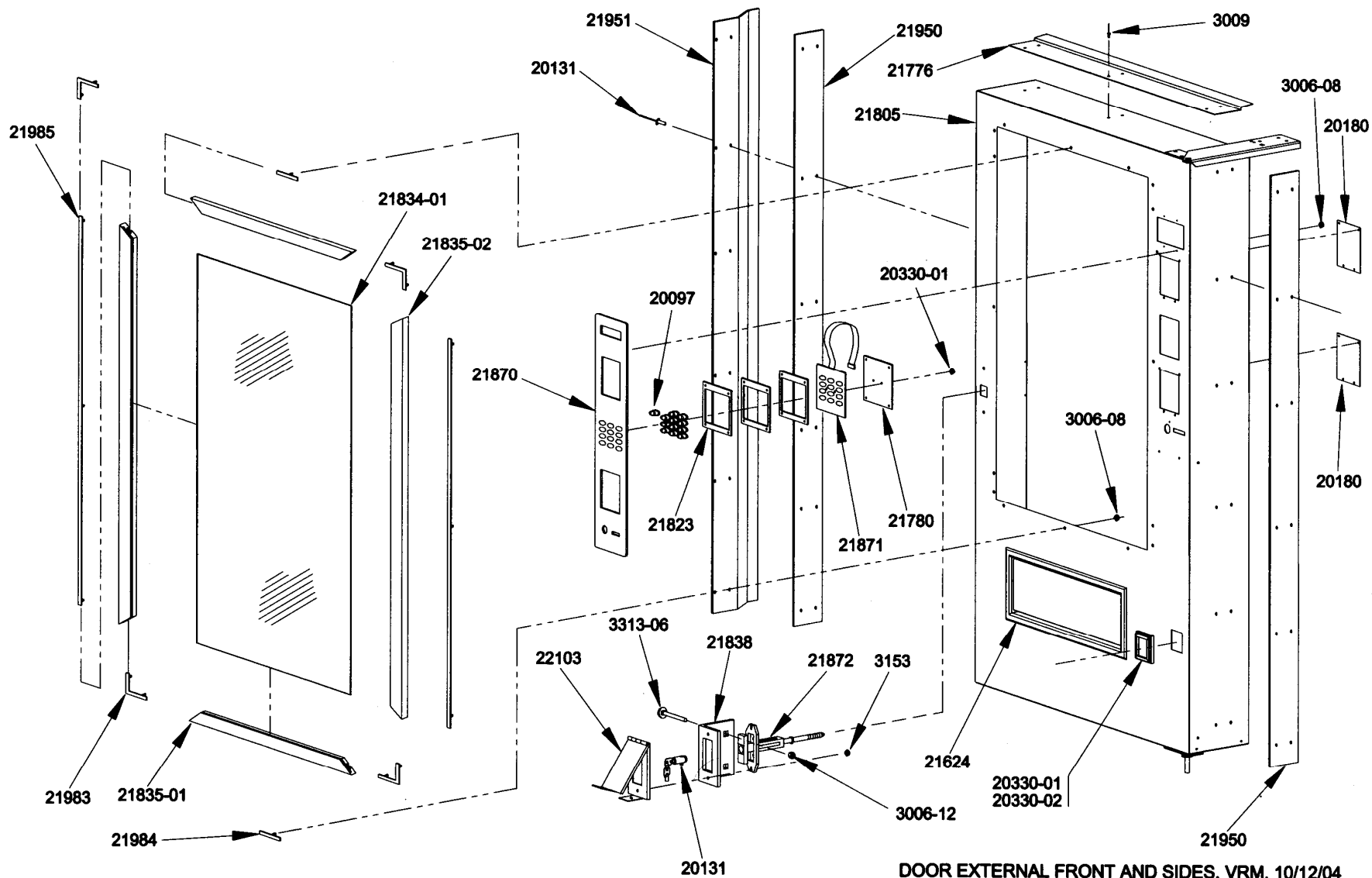
DOOR COIN BAY, VRM, 11/12/04



DOOR, COIN BAY PARTS LIST

PART NO.	PART DESCRIPTION	QTY.	NOTE
1	Program Chip	1	Contact AMS for your application.
3000	Screw, Sheet Metal TEK 8-18	18	
3005-04	Carriage Bolt, #10-24, 1/2"	5	
3006-10	Nut, Hex, Machine Screw, #10-24	5	
3009-04	Rivet, Steel, 1/8", Black, 3/8"-Grip Length 1/4"	10	
3017-06	Washer, Flat Steel, SAE Std., # 6 Screw 5/32	10	
3036	Switch, Panel Mount Rocker	1	
3038	Rivet, Nylon, Trim	5	
3278	Circuit Board Support	4	For Display Board
3291	PC Board Support	6	For Control Board
20129	Coin Box Bulkhead	1	
20181	DVB Cover Plate	2	
20339	Assembly, Coin Chute	1	
20340	Assembly, Coin Cup	1	
20895	Coin Box, Ver. 2 (39")	1	
21027	Assembly, Door Stiffener, Upper, Low Temp	1	
21028	Assembly, Door Stiffener, Lower, Low Temp	1	
21342	Control Board, Sensit II	1	
21431	Display, 2 Line 16 Character, Sensit II	1	
21783	Lens, Display, Steel Escutcheon	1	
21784	Bracket, Display, 90mm X 36mm, Steel Escutcheon	1	
21805	Assembly, Door, Outdoor Vendor	1	
21830	Button, Coin Return, Steel Escutcheon	1	
21831	Shaft, Coin Return Button, Steel Escutcheon	1	
21869	Plate, Reinforcing, Steel Escutcheon	1	
22003	Assembly, Lower Coin Door, Low Temp	1	
22004	Assembly, Upper Coin Door, Low Temp	1	
22050	Lens, Display	1	
22063	Assembly, Scavenger System, Steel Escutcheon	1	
22065	Assembly, Coin Chute	1	
22171	Mounting Panel, Changer, Multi-Use	1	
22174	Spacer, Maxi-Envelope Standard (DBV)	1	

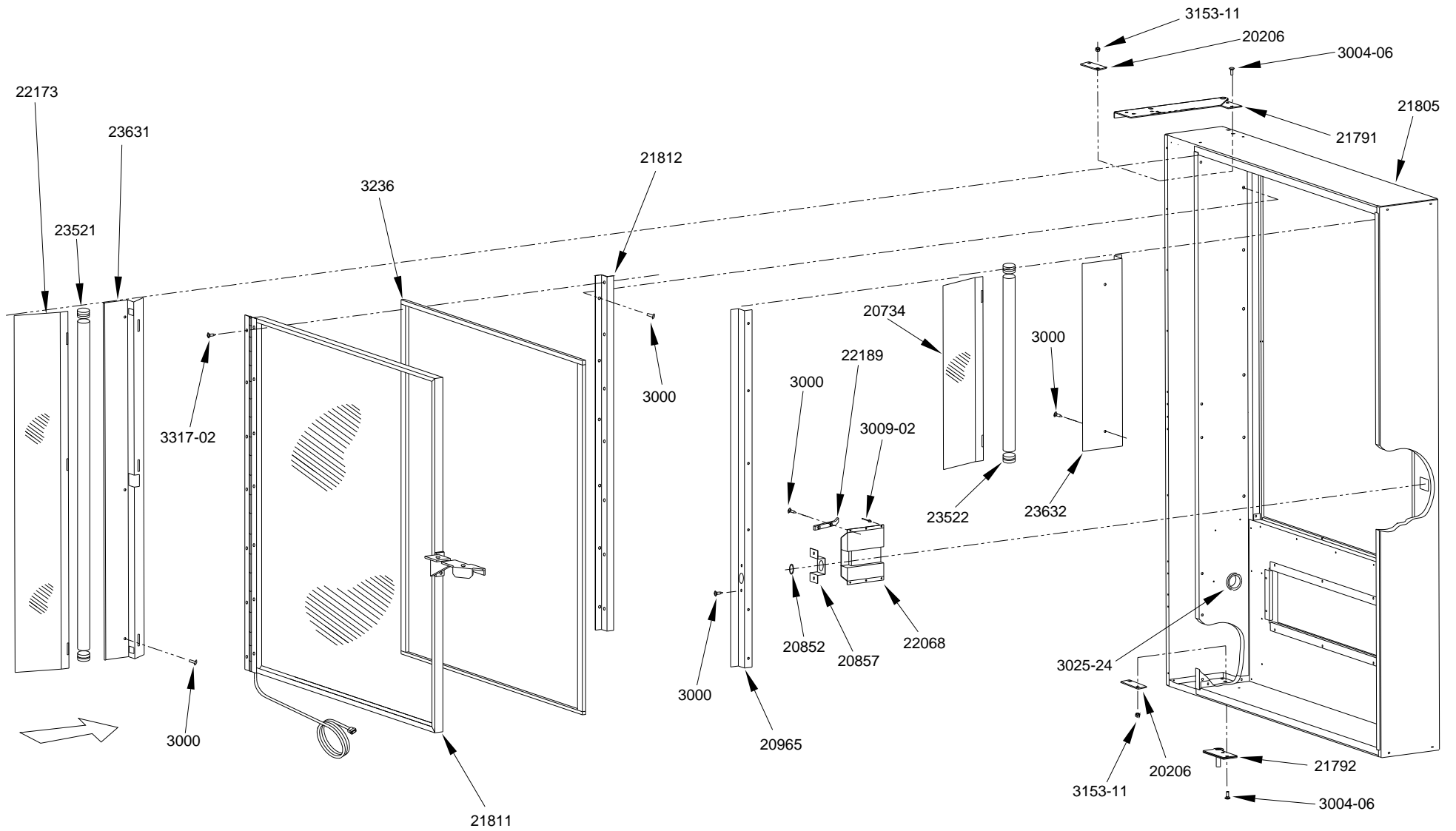
DOOR, EXTERNAL FRONT AND SIDES ILLUSTRATION



DOOR EXTERNAL FRONT AND SIDES, VRM, 10/12/04

DOOR, EXTERNAL FRONT AND SIDES PARTS LIST			
PART NO.	PART DESCRIPTION	QTY.	NOTE
3006-08	#8-32 Nut, Hex, Machine Screw	24	For Attaching Escutcheon, Window Trim
3006-12	5/16-18 Nut, Hex, Machine Screw	2	For Attaching Lock Plate
3009	Rivet, Steel, 1/8", Blk	8	
3153	¼-20 Nut, Hex, With Lockwasher	2	For Attaching Lock Cover Assembly
3313-06	Carriage Bolt, 5/16-18	2	For Attaching Lock Plate
20097	Button, Selection	12	
20131	Lockset And Keys	1	
20180	DBV Mounting Bezel	2	
20330-01	Trim, Extruded Edge	2	2.9" Long
20330-02	Trim, Extruded Edge	2	2.6" Long
21624	Assembly. Vend Eyelet, (39")	1	
21776	Rain Cover Plate, Outer	1	
21780	Membrane Switch Mounting Plate, Steel Escutcheon	1	
21805	Assembly, Door, Outdoor Vendor	1	
21823	Plate, Spacer, Steel Escutcheon	3	
21834-01	Window Cover, Polycarbonate, Outdoor Vendor (39")	1	Cover is 0.234" Thick
21834-02	Window Cover, Polycarbonate, Outdoor Vendor (39")		Cover is 0.234" Thick, MR-10 Scratch Resistant
21835-01	Trim, Extruded, Window Cover	2	26.8" Long
21835-02	Trim, Extruded, Window Cover	2	42.1" Long
21870	Assembly, Steel Escutcheon	1	
21871	Keypad, Membrane, 3 X 4	1	
21872	Assembly, Recessed T-Handle	1	
21838	Plate, Lock Cover	1	
21950	Anti-vandal Plate, Inner, Hemmed, Outdoor Vendor	2	
21951	Anti vandal Plate, Outer, Hemmed, Outdoor Vendor	1	
21983	Retainer Strip, Corner, Extrusion	4	Inserts into Trim Corners
21984	Retainer Strip, Single, Extrusion	2	Inserts into Short Trim
21985	Retainer Strip, Side, Extrusion	2	Inserts into Long Trim
22103	Assembly. Lock Cover, Recessed T-Handle	1	

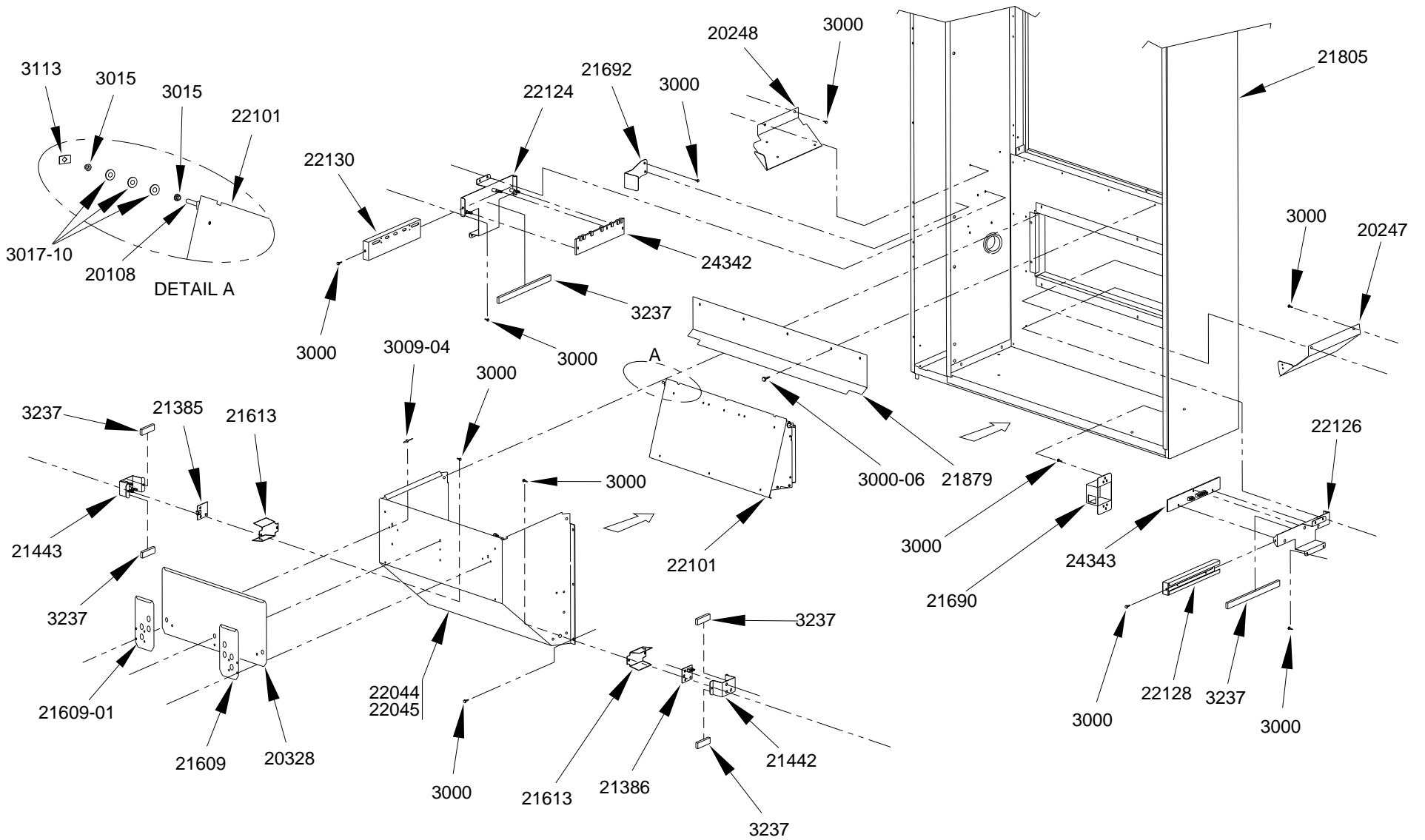
DOOR, INTERNAL, HINGES AND GLASS ILLUSTRATION



DOOR, INTERNAL, HINGES AND GLASS PARTS LIST

PART NO.	PART DESCRIPTION	QTY.	NOTE
3000	Screw, TEK, 8-18 Hex, Self Drill/Tap	18	
3004-06	Carriage Bolt, 1/4-20, 3/4"	4	For Door Hinges
3009-02	Rivet, Pop, Steel, 1/8 x 1/4 Grip	3	
3018-06	Hex Head Self-Drilling/Tapping Sheet Metal Screw, 1/4" X 3/4" Long	7	
3025-24	Grommet, Rubber, 1 1/2 ID X (1 3/4 OD X .062 Groove)	1	For Pass-Through of Harnesses
3153-11	Nut, Hex With Lock Washer	4	For Door Hinge
3234	Lamp Cover, T8, 24", Clear, With End Caps (Service only)	1	For Lamp Containment
3236	Tape, 3/16" X 1/2" PVC Foam	136"	Seals Between Glass Frame and Door
3240	Lamp Cover, T8, 36", Clear, With End Caps (Service only)	1	For Lamp Containment
3317-02	Rivet, Stainless Steel, 1/8"	7	1/8" Diameter, 1/4" Grip Length
20206	Hinge, Washer plate	1	
20733-01	Lamp Bracket, 24" (service only)	1	
20734	Lamp Cover, 24"	1	
20852	Seal, T-Handle, Low Temp	1	
20857	Lock Bolt Alignment Bracket	1	
20965	Tray Restraint, Low Temp, Reduced Depth	1	
21165	Assembly, False Leg	1	Adds Stability to Door When Open
21791	Assembly, Top Hinge, 1/4"	1	
21792	Assembly, Bottom Hinge, 1/4"	1	
21805	Assembly, Door, Outside Vendor	1	
21811	Assembly, Hinged Window Panel	1	Replaced As an Assembly Only
21812	Bracket, Hinge Support	1	
22068	Assembly, Lock Bolt Cover, Low Temp, Ver. E.	1	
22172-01	Lamp Bracket, 36" (service only)	1	See Harness Section For Harness
22173	Lamp Cover, 36"	1	
22189	Latch Anchor	1	Latch Is On Window Assembly
23521	Lamp, LED, 42" Vertical	1	
23522	Lamp, LED, 24"	1	
23631	Bracket, 42", LED, VRM	1	
23632	Bracket, 24", LED, VRM	1	

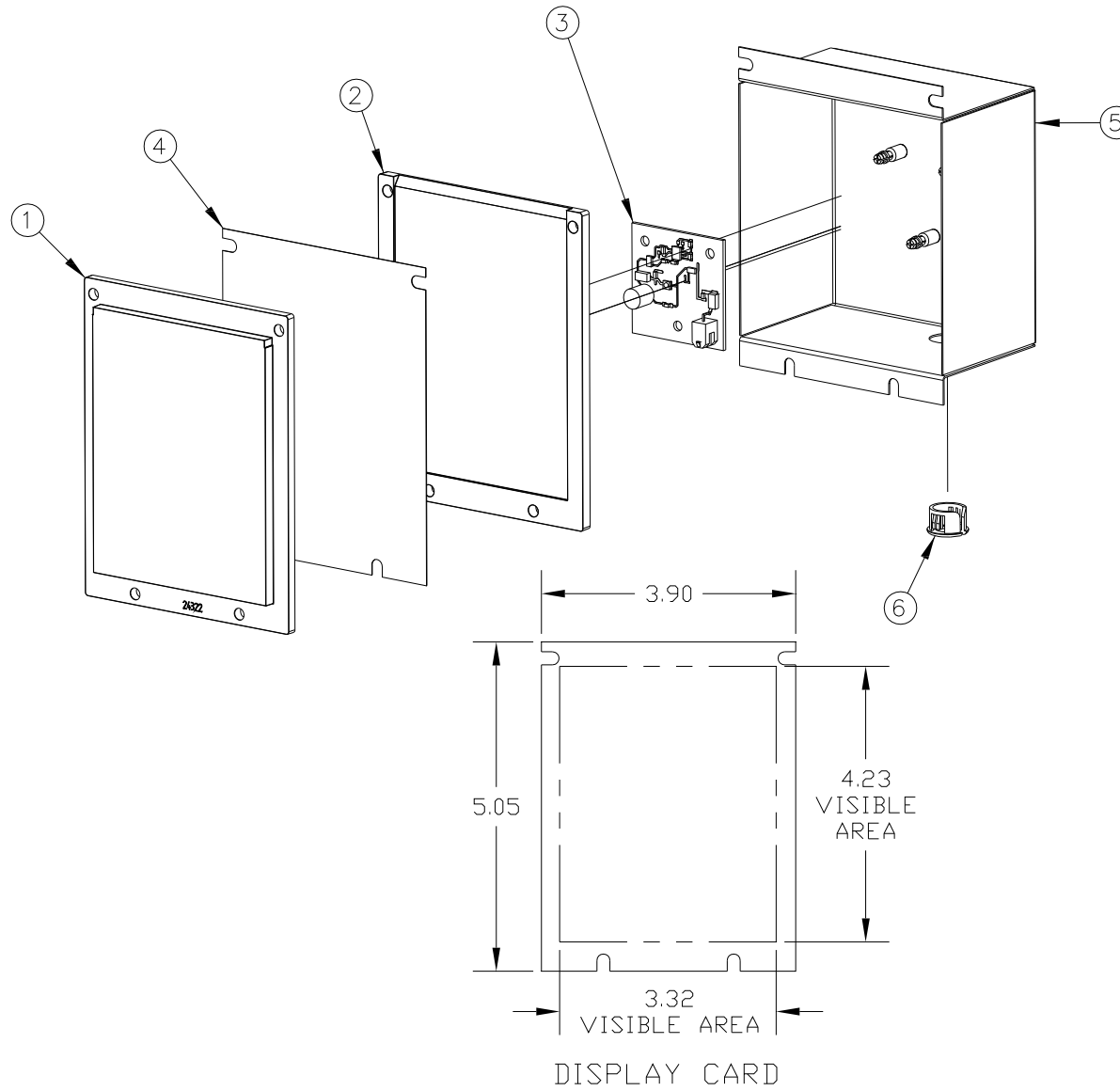
DOOR, PRODUCT HOPPER WITH SENSIT 3 ILLUSTRATED



DOOR, PRODUCT HOPPER, SENSIT 3, VRM PARTS LIST

PART NO.	PART DESCRIPTION	QTY.	NOTE
3000	Screw, TEK 8-18	28	(Estimated Quantity)
3000-06	Screw, TEK, Self Drill/Tap	6	¾" Long
3009-04	Rivet, Pop, Steel, 1/8 x 1/4 Grip	8	(Estimated Quantity)
3015	Bearing, Nyliner Snap-In	4	
3017-10	Washer, Flat Steel, SAE Std. , #10 Screw 7/32 X ½	6	
3113	Pushnut, 3/16" Stud	2	
3237	Tape, 3/8 x ¼", Urethane Foam, Adhesive Backed	15"	Cut To Length As Required
20108	Vend Door, Shaft (39")	1	
20247	Product Kicker, Left	1	(Left Hand When Facing Front Of Door)
20248	Product Kicker Right	1	
20328	Deflector Plate (39")	1	Used If Not Equipped With 1.5" Helix Tray
21099	Deflector Plate, Reduced Depth, 39"	1	(Top Bent 45°)
21385	Detector, Product Sensor	1	Use Product Sensor With Visi-Combo Only
21386	Emitter, Product Sensor	1	Use Product Sensor With Visi-Combo Only
21442	Assembly, Product Sensor Emitter Bracket, Sensit II	1	
21443	Assembly, Product Sensor Detector Bracket, Sensit II	1	
21609	Deflector (Right Side)	1	Installed on Door Hopper Corner
21609-01	Deflector (Left Side)	1	Installed on Door Hopper Corner
21613	Lens, Product Sensor Bracket, Sensit II	2	
21690	Enclosure, Door Switch, Ver 2	1	Uses Normally Closed Switch, P/N 3036
21692	Plate, Fan Switch Striker, Ver. 2	1	Above Delivery Detector Sensor
21805	Assembly, Door, Outside Vendor	1	
21879	Deflector Panel	1	
22044	Assembly, Vend Hopper With Wireway, Sensit II (39")	1	
22044	Assembly, Vend Hopper With Product Sensor and Wireway, Sensit II (39")	1	Use With Visi-Combo Only
22101	Assembly, Vend Door	1	
22124	Assembly, Primary Delivery Sensor Bracket	1	
22126	Assembly, Secondary Delivery Sensor Bracket	1	
22128	Assembly, Secondary Delivery Sensor cover	1	
22130	Assembly, Primary Delivery Sensor Cover	1	
24342	Sensor Board, Primary, Ver. 4	1	Contact AMS for Proper Part
24343	Sensor Board, Secondary, Ver. 4	1	Contact AMS for Proper Part

POS DISPLAY ILLUSTRATION

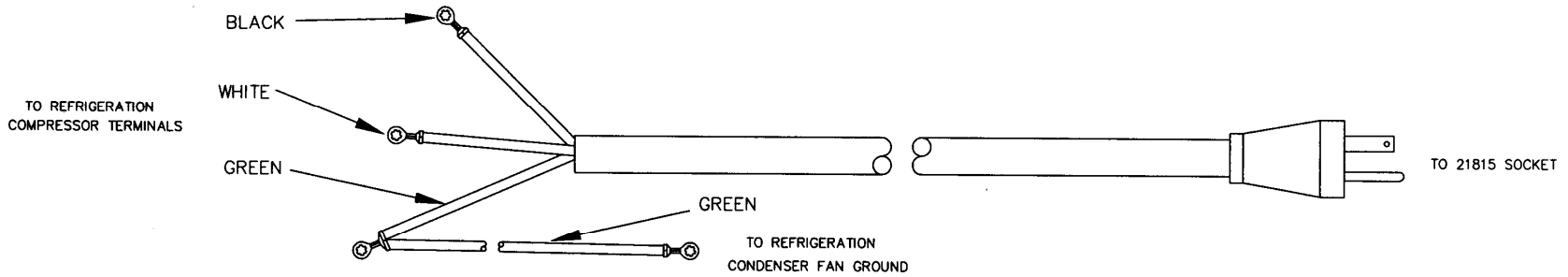




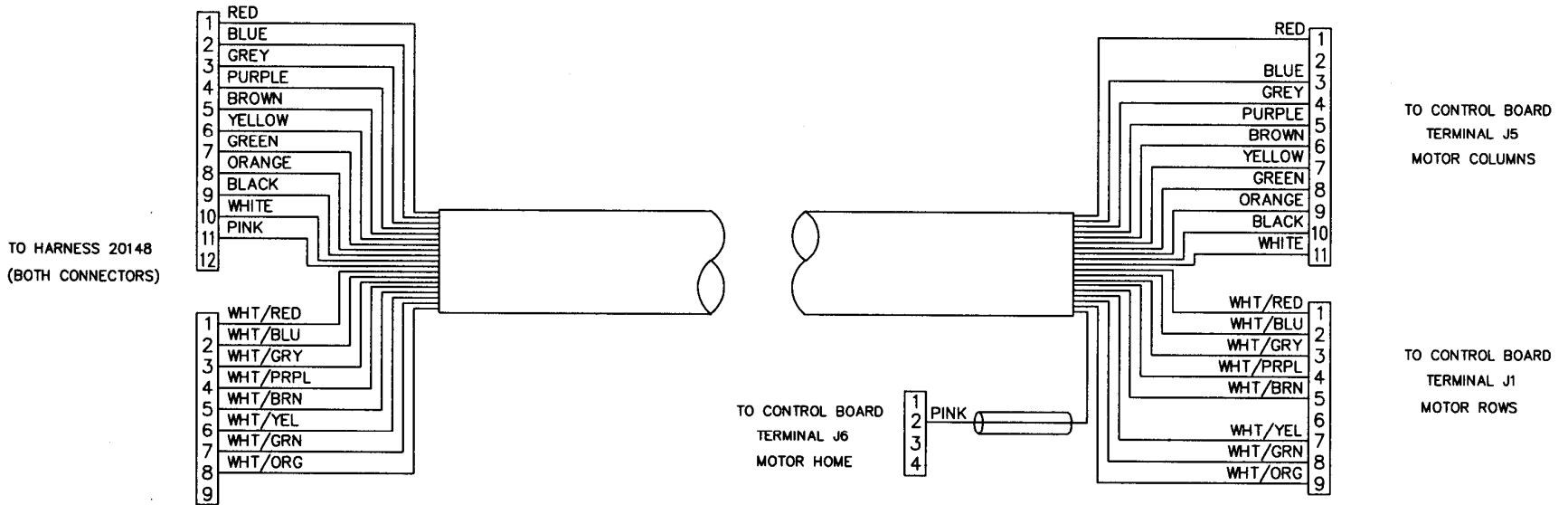
POS DISPLAY PARTS LIST

ITEM	PART NO.	PART DESCRIPTION	NOTE
1	24322	POS DISPLAY INSERT	
2	24323	POS DISPLAY DIFFUSER	
3	24329	LED BOARD	
4	24330	POS DISPLAY CARD (AMS)	ENGLISH
	24457	POS DISPLAY CARD (IAMS)	SPANISH
5	24339	LIGHT BOX ASSEMBLY	
6	3029-02	BUSHING	

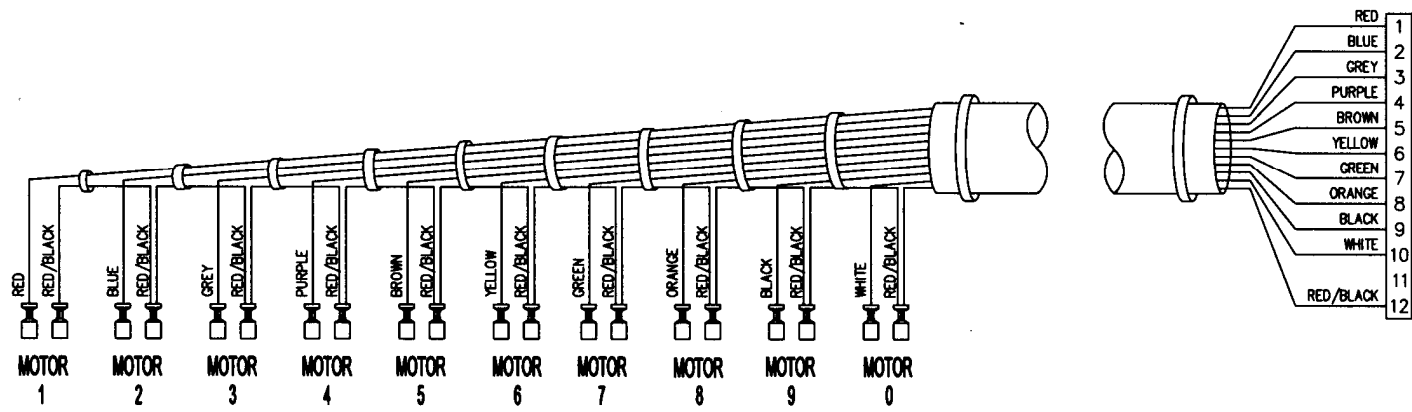
ELECTRICAL HARNESS ILLUSTRATIONS



20144, HARNESS, REFRIGERATION, 115V

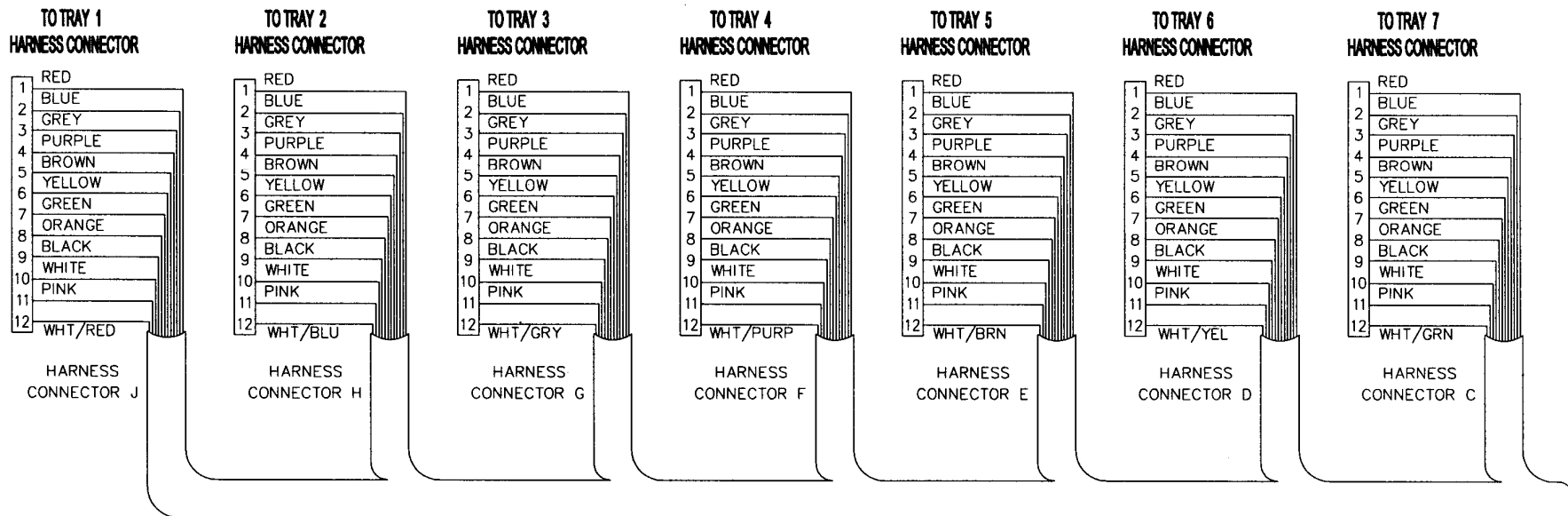


20146, HARNESS, DOOR MOTORS

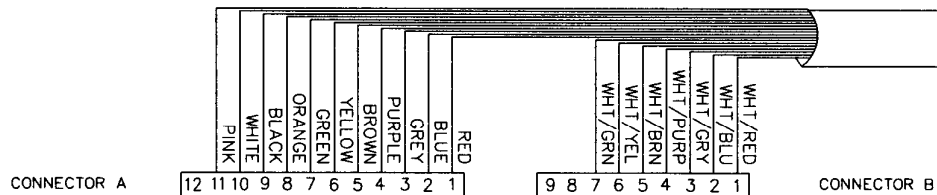


TO 20148 HARNESS  
MOTOR DISTRIBUTION

20147, HARNESS, TRAY, 10 COLUMN

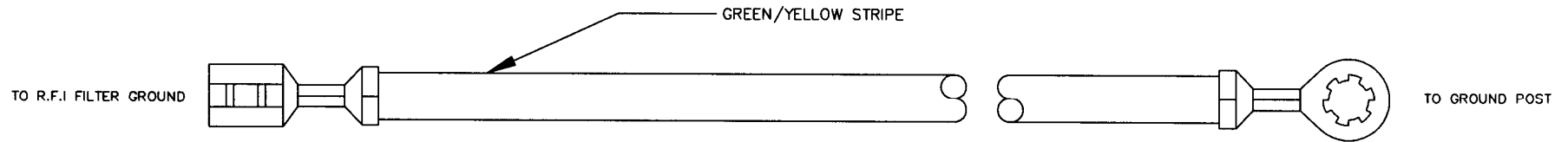


(CONNECTOR A IS JUMPERED TO ALL CONNECTORS TO TRAYS, PINS 1 -11)

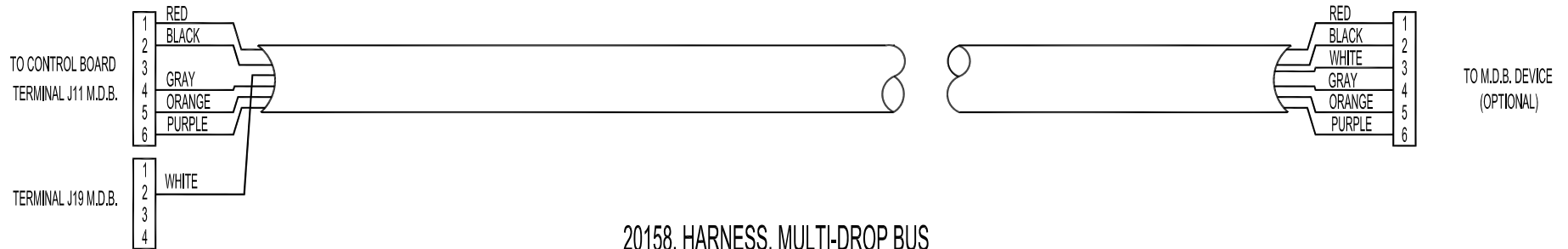


CONNECTOR A AND B TO 20146 HARNESS, DOOR MOTOR

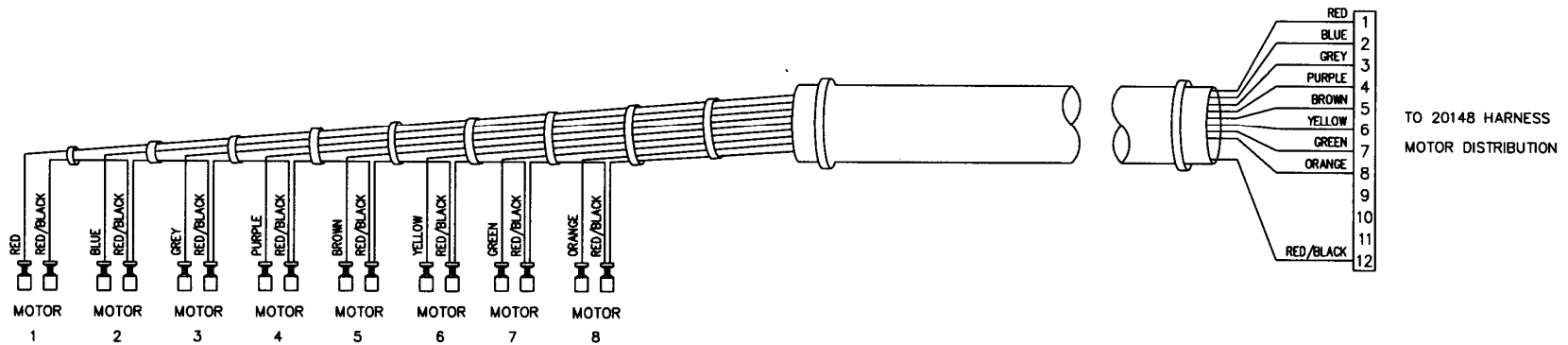
**20148, HARNESS, MOTOR DISTRIBUTION**



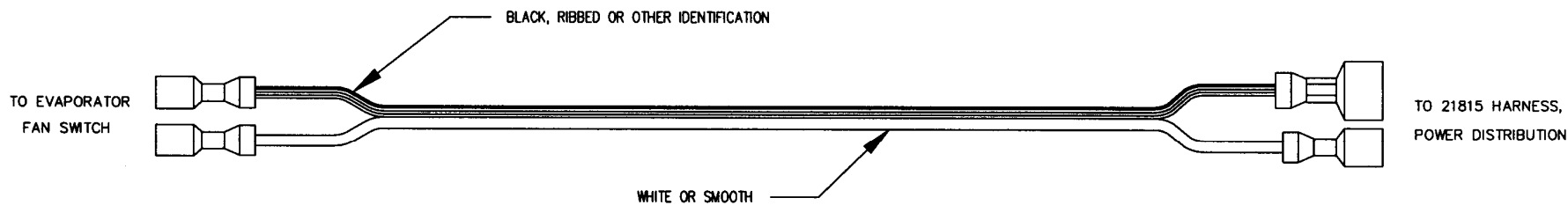
20154, HARNESS, R.F.I. FILTER GROUND



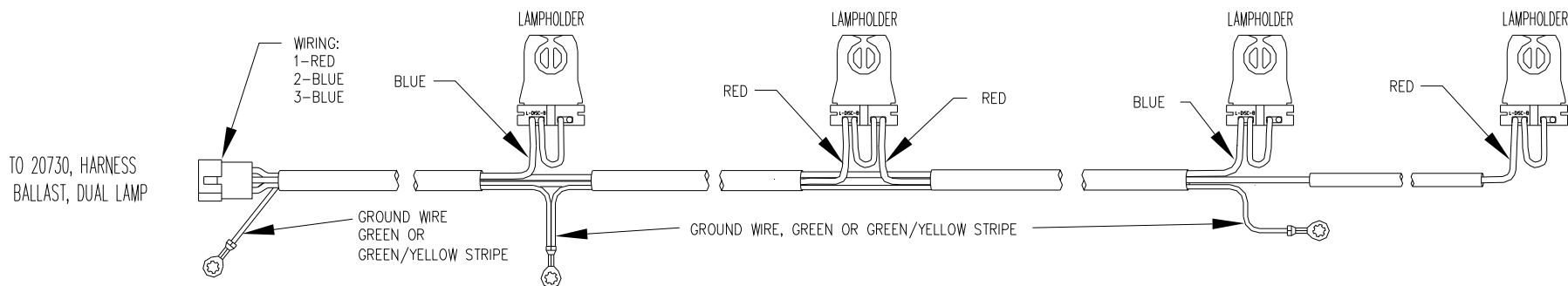
20158, HARNESS, MULTI-DROP BUS



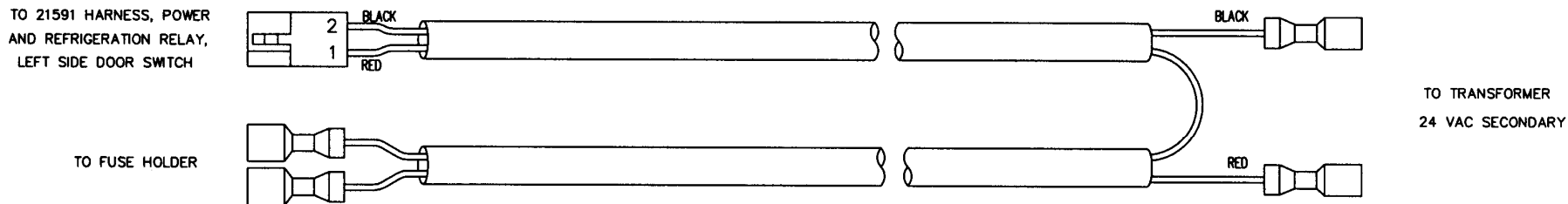
20163, HARNESS, TRAY, 8 COLUMN



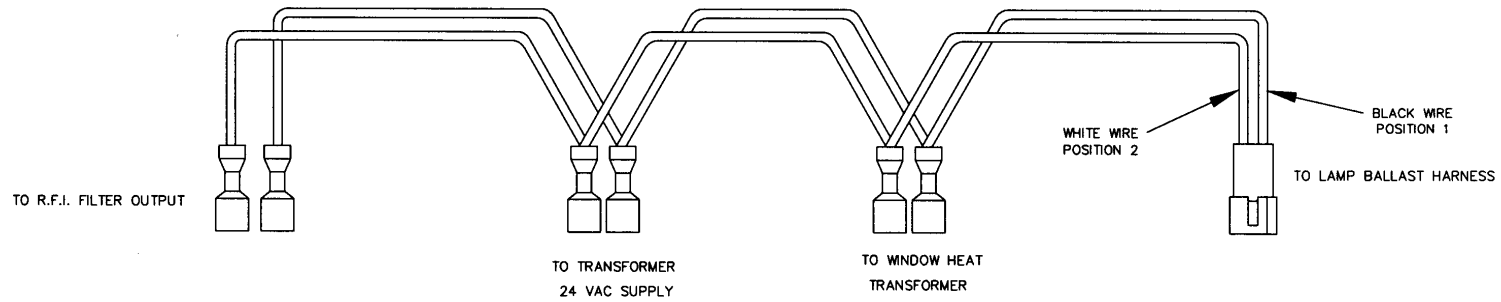
20698, HARNESS, EVAPORATOR FAN SWITCH



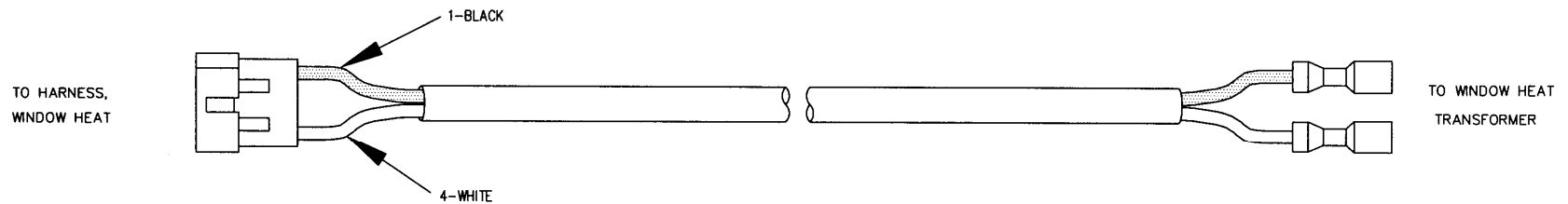
20718, HARNESS, DUAL LAMP 110V SERVICE ONLY



20701, HARNESS, TRANSFORMER AND FUSE



20897, HARNESS, DUAL TRANSFORMER



20899, HARNESS, WINDOW HEATER TRANSFORMER

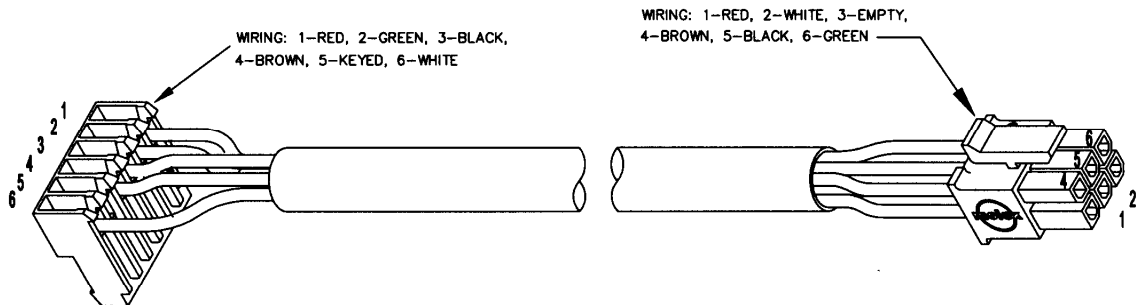
TO 21591, HARNESS,  
CONTROL POWER AND  
REFRIGERATION RELAY,  
LEFT SIDE DOOR SWITCH



TO CHILLER RELAY  
COIL SIDE

21405, HARNESS, REFRIGERATION RELAY, T9A SERIES

TO CONTROL BOARD  
TERMINAL J14  
PRODUCT SENSOR

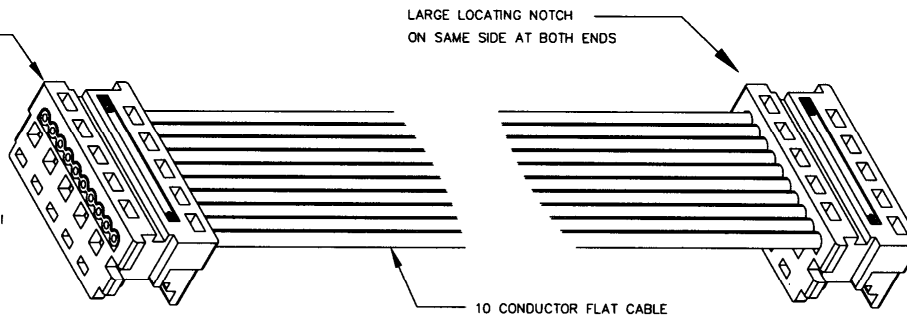


TO 21383 DETECTOR DELIVE  
SENSOR, SENSIT II  
TERMINAL J4

21425 HARNESS, DELIVERY SENSOR DETECTOR/CONTROL, SENSIT II

10 POSITION CONNECTOR (2 PLACES)

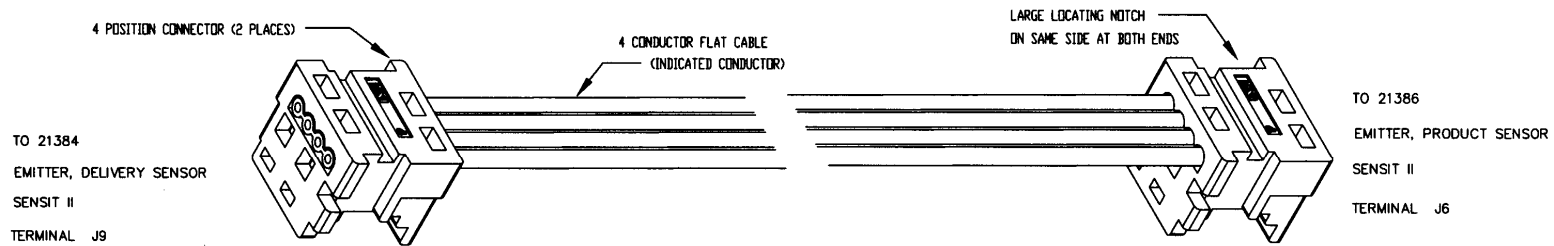
TO 21383  
DETECTOR, DELIVERY SENSOR, SENSIT II  
TERMINAL J1



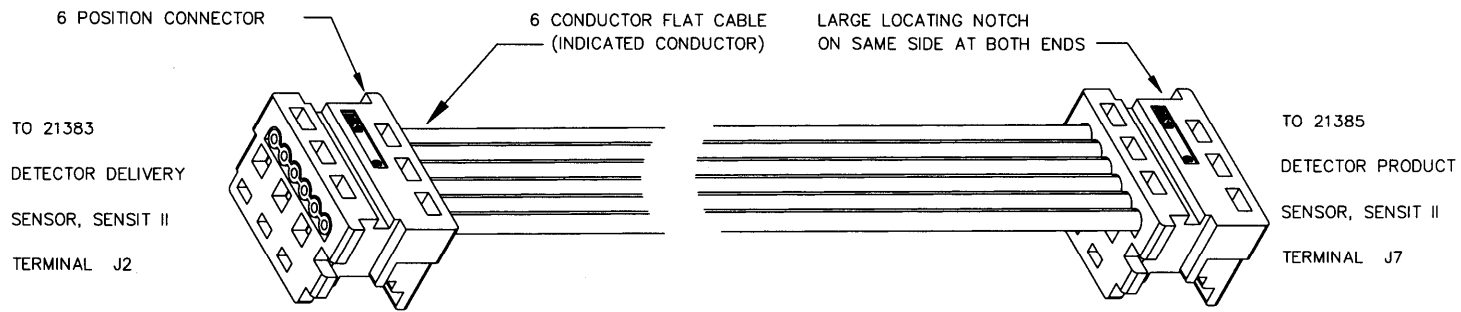
TO 21384  
EMITTER, DELIVERY SENSOR, SENSIT II  
TERMINAL J8

21426 HARNESS, DELIVERY SENSOR DETECTOR/EMITTER, SENSIT II

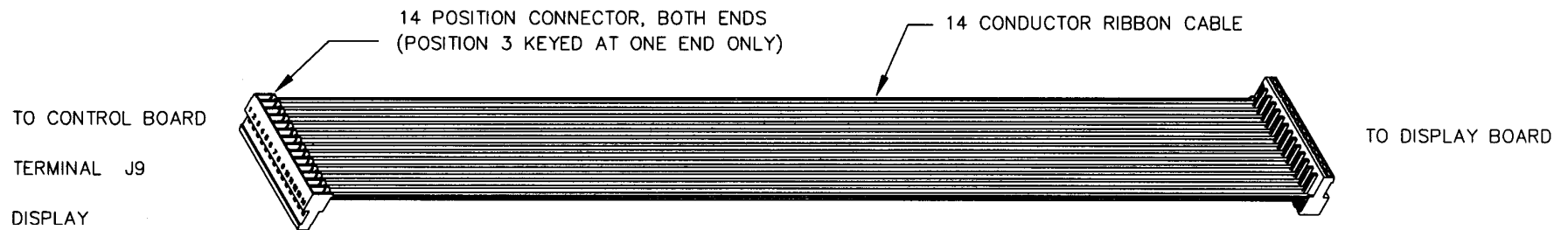




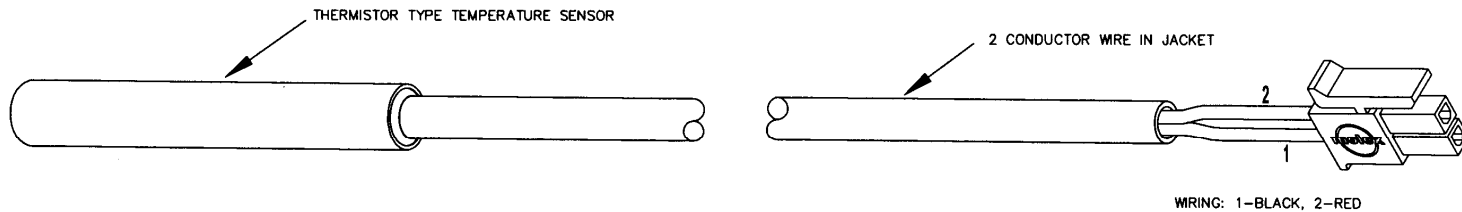
21427 HARNESS, PRODUCT SENSOR EMITTER, SENSIT II (OPTIONAL)



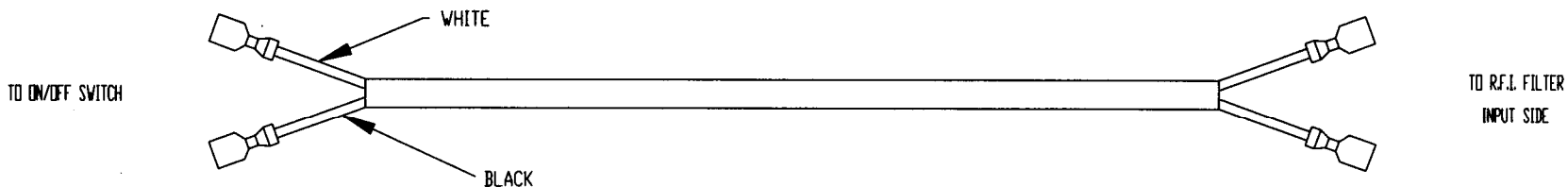
21428, HARNESS, PRODUCT SENSOR DETECTOR, SENSIT II (OPTIONAL)



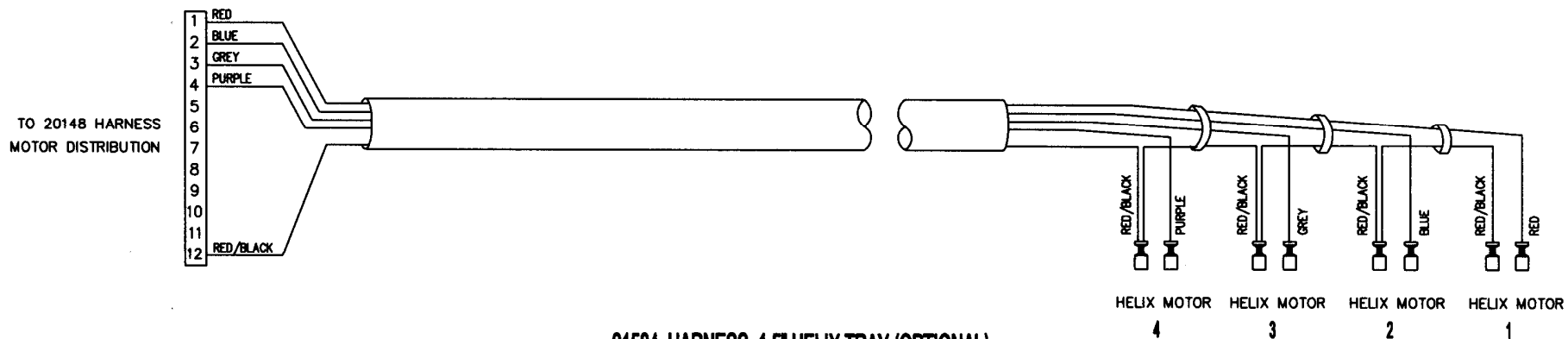
21432 HARNESS, DISPLAY, SENSIT II



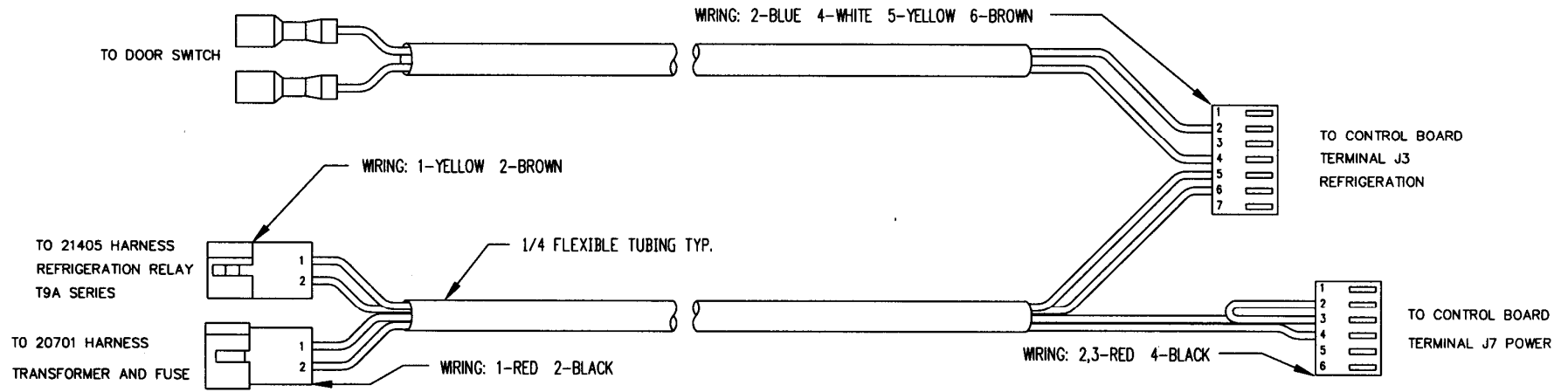
21468 TEMPERATURE SENSOR, SENSIT II



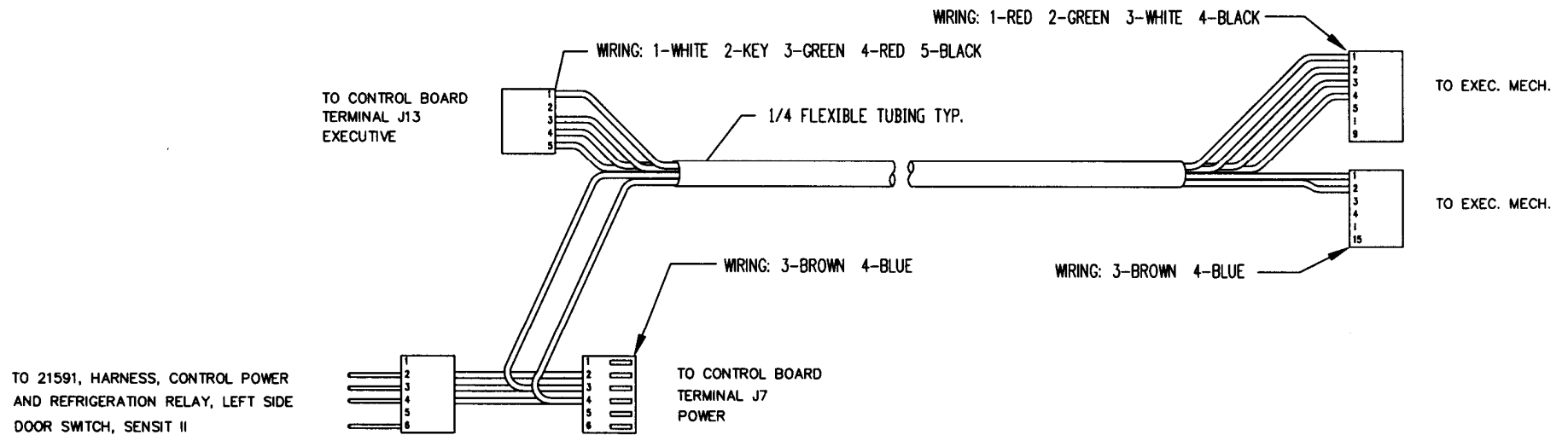
21485, HARNESS, ON/OFF SWITCH



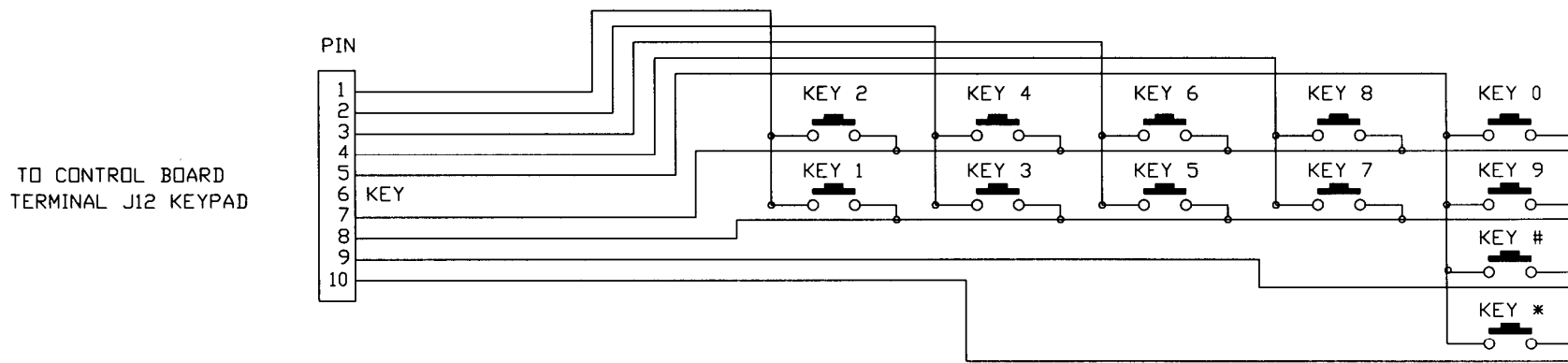
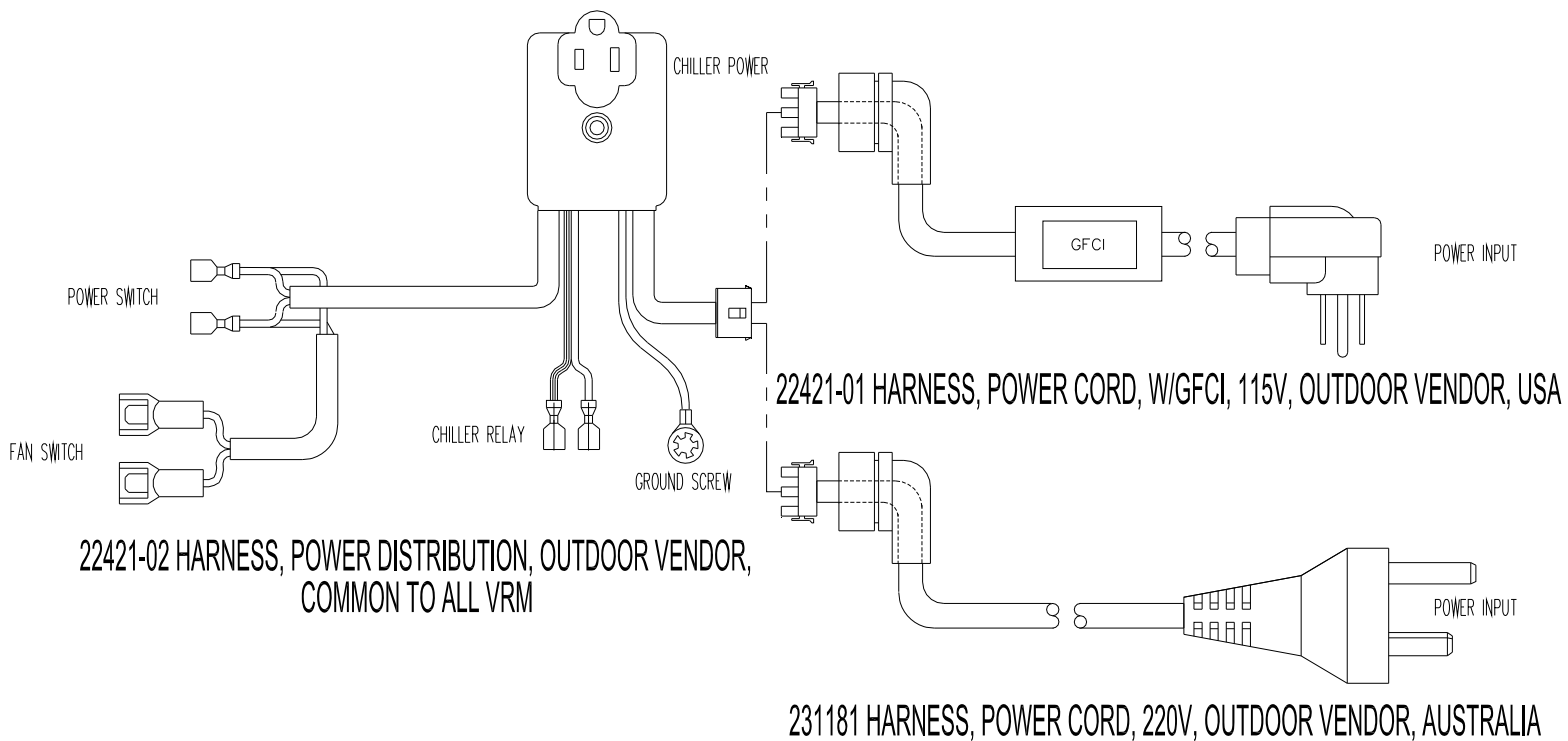
21584, HARNESS, 1.5" HELIX TRAY (OPTIONAL)



**21591, HARNESS, CONTROL POWER AND REFRIGERATION RELAY, LEFT SIDE DOOR SWITCH, SENSIT II**



**21592, HARNESS, EXEC. MECH., SENSIT II (OPTIONAL)**

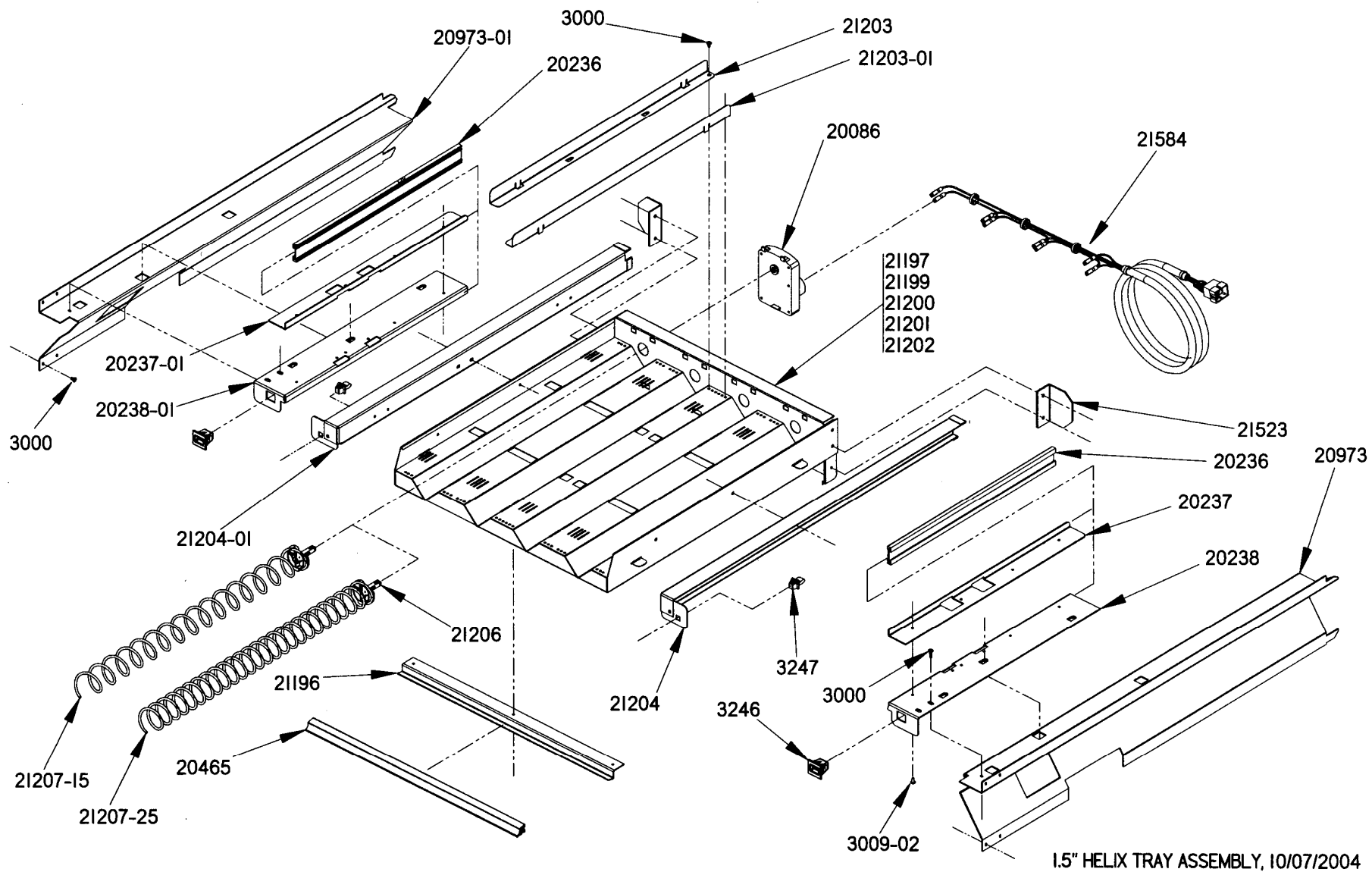


21871, KEYPAD, MEMBRANE, 3 X 4  
(HARNESS IS INTEGRAL WITH SWITCH)

ELECTRICAL HARNESSES PARTS LIST

PART NO.	PART DESCRIPTION	QTY.	NOTES
20144	Harness, Refrigeration, 115V (Not Labeled)	1	For Chiller Power
20146	Harness, Door Motors	1	
20147	Harness, Tray, 10 Column	1	Also For 5 Column Tray
20148	Harness, Motor Distribution	1	
20154	Harness, R.F.I. Filter Ground	1	
20158	Harness, Multi-Drop Bus	1	
20163	Harness, Tray, 8 Column	1	Also For 4 Column Tray
20698	Harness, Evaporator Fan Switch	1	
20701	Harness, Transformer and Fuse	1	
20718	Harness, Dual Lamp, 110V	1	
20730	Harness, Ballast, Dual Lamp, 110V	1	
20897	Harness, Dual Transformer	1	
20899	Harness, Window Heater Transformer	1	
21405	Harness, Refrigeration Relay T9A	1	
21425	Harness, Delivery Sensor Detector/Control, Sensit II	1	
21426	Harness, Delivery Sensor Detector/Emitter, Sensit II	1	
21427	Harness, Product Sensor Emitter, Sensit II	1	
21428	Harness, Product Sensor Detector, Sensit II	1	
21432	Harness, Display, Sensit II	1	
21468	Temperature Sensor, and Harness, Sensit II	1	
21485	Harness, On/Off Switch	1	
21584	Harness, 1.5" Helix Tray	1	
21591	Harness, Control Power and Refrigeration Relay, Left Side Door Switch, Sensit II	1	
21592	Harness, Executive Mech Connector, Sensit II	1	
21815	Harness, Power Distribution, Outdoor Vendor	1	
21871	Keypad, Membrane, 3X4	1	

### 1.5" HELIX TRAY ILLUSTRATION

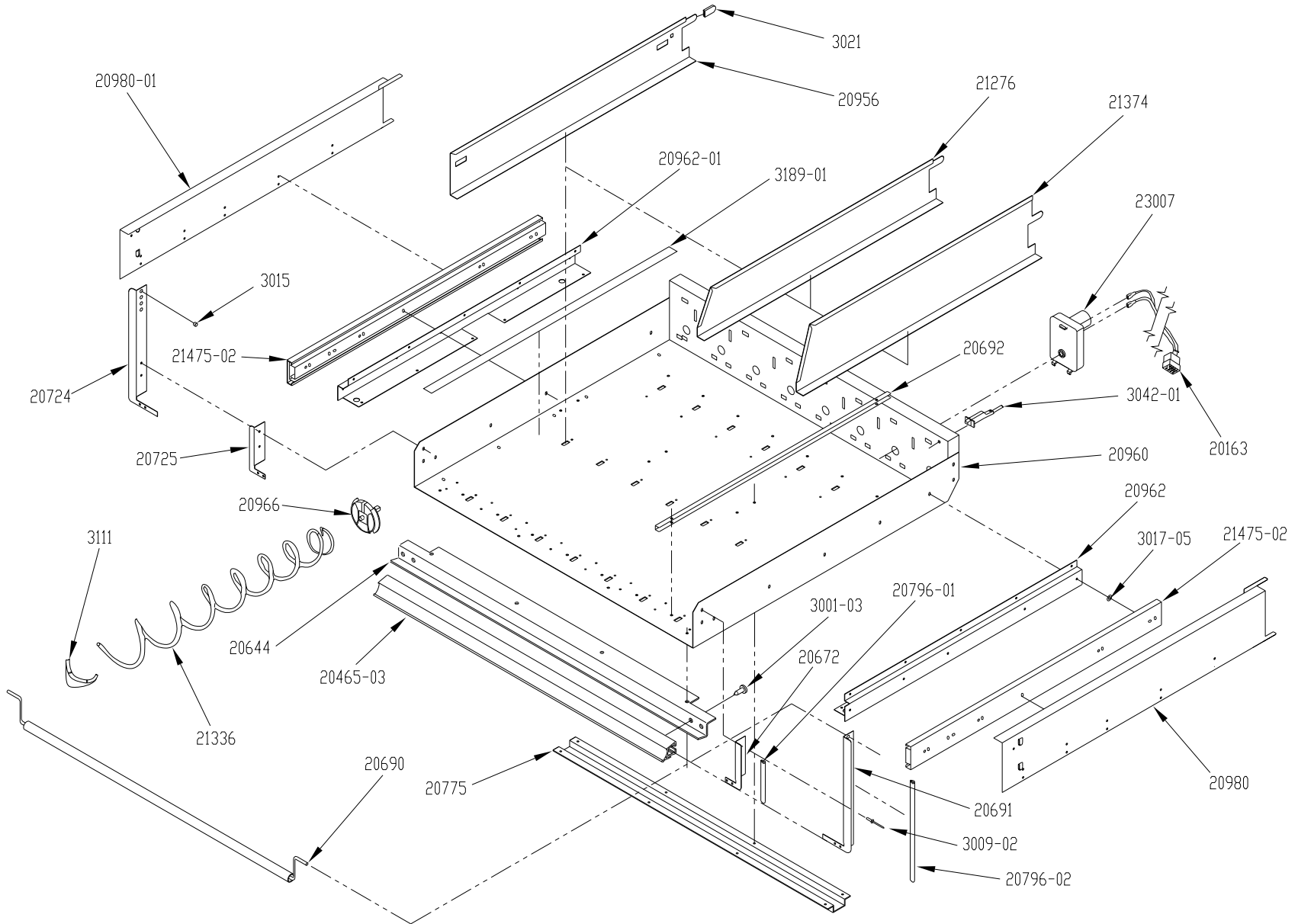


1.5" HELIX TRAY ASSEMBLY, 10/07/2004

1.5" HELIX TRAY PARTS LIST

PART NO.	PART DESCRIPTION	QTY.	NOTES
3000	Screw, TEK 8-18	18	
3009-02	Rivet, Pop, Steel, 1/8	34	
3246	Latch, Nylon, Gum and Mint	2	
3247	Strike, Nylon, Gum and Mint	2	
20086	Motor, Single Helix W/O Switch	4	
20236	Extrusion, Gum and Mint Rail	2	
20237	Extrusion Mount, Upper (Gum and Mint)(Right Side)	1	
20237-01	Extrusion Mount, Upper (Gum and Mint)(Left Side)	1	
20238	Extrusion Mount, Lower (Gum and Mint)(Right Side)	1	
20238-01	Extrusion Mount, Lower (Gum and Mint)(Left Side)	1	
20465-04	Extrusion, Price Marker, Reduced Height	1	
20973	Rail, Gum and Mint, Reduced Depth (39")(Right Side)	1	
20973-01	Rail, Gum and Mint, Reduced Depth (39")(Left Side)	1	
21196	Doubler, Tray 1.5" Helix Tray	1	Parts Are Factory Assembled As A Unit.
21197	Tray Body, 1.5" Helix Tray	1	
21199	Tray Back, 1.5" Helix Tray	1	
21200	Tray Inner Side, 1.5" Helix Tray	2	
21201	Tray Inner Section, 1.5" Helix Tray	2	
21202	Tray Inner Mid Section, 1.5" Helix Tray	1	
21203	Divider, Tray, 1.5" Helix Tray	4	
21203-01	Divider, Tray, 1.5" Helix Tray	4	
21204	Tray Slide Channel, 1.5" Helix Tray	1	
21204-01	Tray Slide Channel, 1.5" Helix Tray	1	
21206	Helix Adapter, 1.5" Helix Tray	4	
21207-15	Helix, 1.5" Tray, Counterclockwise, Black	2	Factory Equipped Tray Has Two Of Each.
21207-25	Helix, 1.5" Tray, Counterclockwise, Black	2	
21523	Bracket, Stop, 1.5" Helix Tray	2	
21584	Harness, 1.5" Helix Tray	1	Normally Plugs Into the "G" or "7" Connector.

BOTTLE TRAY ILLUSTRATION

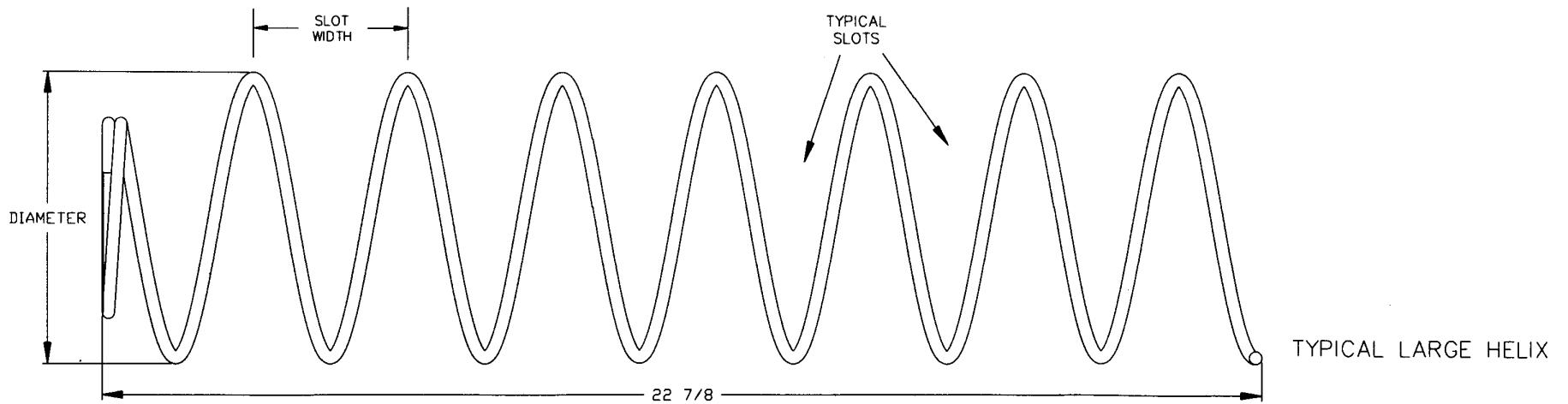
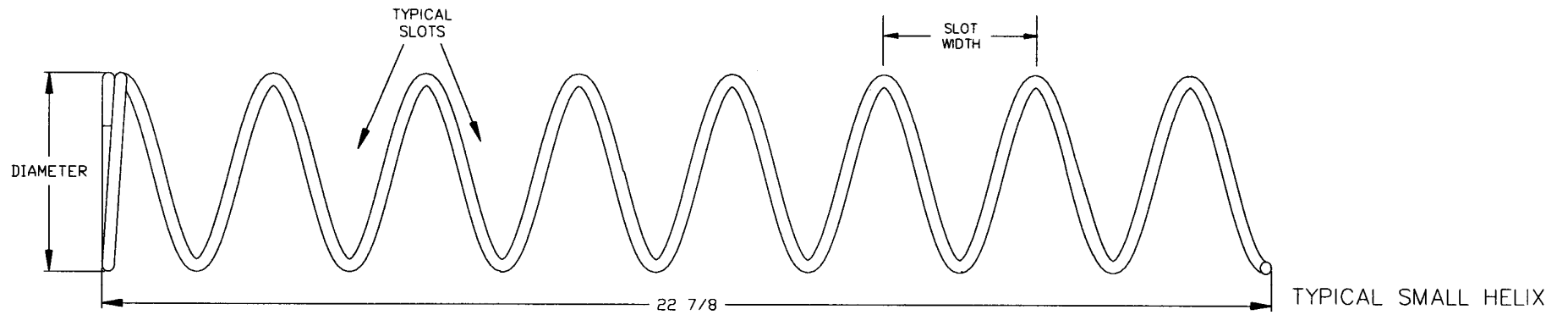
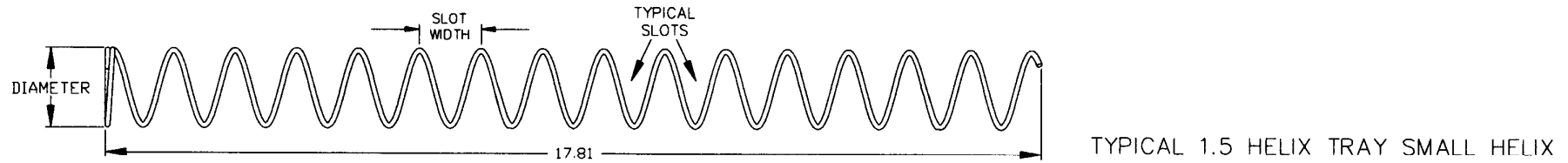




BOTTLE TRAY PARTS LIST

PART NO.	PART DESCRIPTION	QTY.	NOTE
3001-03	Screw, Sheet Metal, Type B, 8-18	6	
3009-02	Rivet, Pop, Steel, 1/8	81	
3015	Bearing, Nyliner, Snap-In	2	Use On 20691 And 20724 for Bottle Tipper
3017-05	Washer, Flat Steel	10	For Rivet Reinforcement
3021	Protective Cap, Vinyl	7	
3042-01	Wire Tie, Panel Mount	1	
3111	Helix Ejector, Small Helix	8	
3189-01	Tape, UHMW Polyethylene, 3/4" X .005"	16'	
20086	Motor, Single Helix W/O Switch (Service only)	8	
20163	Harness, Tray, 8 Column	1	
20465-03	Extrusion, Price Marker, Ver. 2	1	
20644	Tray Doubler, Bottle (39')	1	
20672	Tray Corner, Bottle, Right	1	Use With 20690 Without Bottle Tipper
20690	Assembly, Bottle Tipper Bar	1	
20691	Tray Corner, Bottle Tipper Bar, Right	1	Use With 20690 For Bottle Tipper
20692	Device, Bottle Alignment	8	
20724	Tray Corner, Bottle Tipper Bar, Left	1	Use With 20690 For Bottle Tipper
20725	Tray Corner, Bottle, Left	1	Use With 20690 Without Bottle Tipper
20775	Tray Reinforcement, Bottle (39') Ver. 2	1	
20796-01	Edge Guard, Tray Corner (Only RH)	1	Use On 20672 Without Bottle Tipper
20796-02	Edge Guard, Tray Corner (Only RH)	1	Use On 20691 For Bottle Tipper
20956	Tray Divider, Reduced Depth (Square Front)	7	
20960	Tray Body, Bottle, Reduced Depth (39')	1	
20980	Rail, Bottle Tray, Reduced Depth (RH)	1	Use Lower Rivet Positions For Taller Bottles
20980-01	Rail, Bottle Tray, Reduced Depth (LH)	1	Use Lower Rivet Positions For Taller Bottles
20962	Bracket, Bottle Tray Rail, Reduced Depth (RH)	1	
20962-01	Bracket, Bottle Tray Rail, Reduced Depth (LH)	1	
20966	Helix Adapter, Without Hub	8	
21276	Tray Divider, Reduced Depth, Tapered Front	7	3.3" High
21336	Helix, 3' Counter-Clockwise, 3.5' Opening, Black	8	See Helix Description For Options.
21374	Tray Divider, Reduced Depth, Tapered Front, High	7	4.9" High
21475-02	Rail Slide, Full Extension, 24"	1	1 Pair
23007	Motor W/Home Circuit	8	

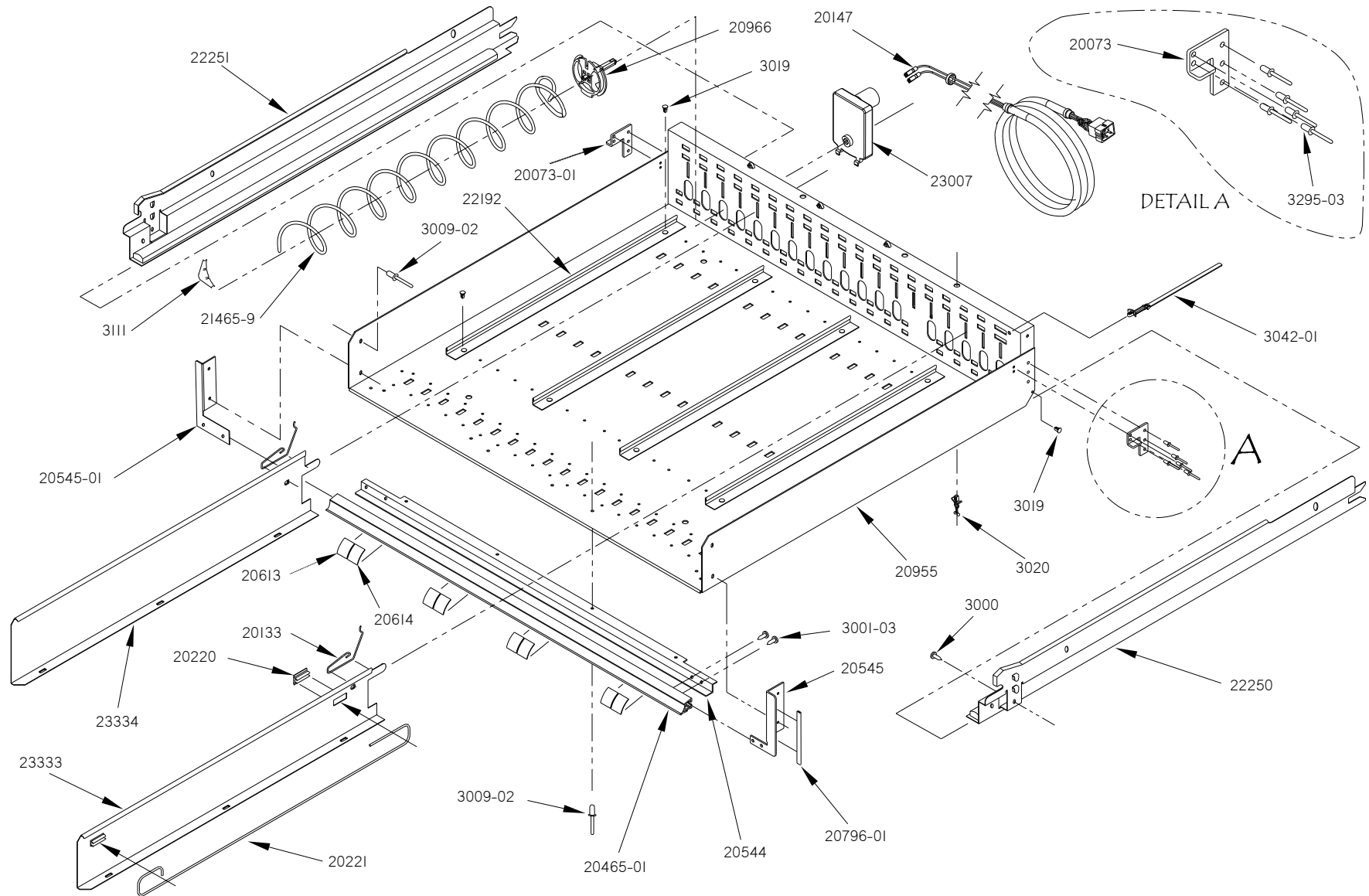
### HELIX ILLUSTRATION



HELIX PARTS LIST

PART NO.	HELIX DESCRIPTION *	SLOT (VEND) WIDTH	NUMBER OF SLOTS (PITCH)	HELIX OUTSIDE DIAMETER	TURNS	QTY PER COLUMN	NOTE
20119-07	Helix, Small CW, Black	2 5/8	7	2.6	CW	1 Set	Use With 20120-07 As A Set
20120-07	Helix, Small CCW, Black	2 5/8	7	2.6	CCW	1 Set	
20119-10	Helix, Small CW, Black	1 7/8	10	2.6	CW	1 Set	Use With 20120-10 As A Set
20120-10	Helix, Small CCW, Black	1 7/8	10	2.6	CCW	1 Set	
20120-12	Helix, Small CCW, Black	1 7/8	12	2.6	CCW	1	
20120-15	Helix, Small CCW, Black	1 7/8	15	2.6	CCW	1	
20120-18	Helix, Small CCW, Black	1 7/8	18	2.6	CCW	1	
20120-24	Helix, Small CCW, Black	1 7/8	24	2.6	CCW	1	
21207-15	Helix, 1.5", CCW, Black	1	15	1.5	CCW	1	Use in 1.5" Helix Tray
21207-25	Helix, 1.5", CCW, Black	9/16	25	1.5	CCW	1	Use in 1.5" Helix Tray
21336	Helix, 3", CCW, Black	3.5	6	3	CCW	1	Bottle Tray
21337	Helix, 3", CCW, Black	3.2	6	3	CCW	1	Bottle Tray
21465-5	Helix, 3.75" CCW, Black	3 ¼	5	3.75	CCW	1	Large
21465-7	Helix, 3.75" CCW, Black	2 5/8	7	3.75	CCW	1	Large
21465-9	Helix, 3.75" CCW, Black	2	9	3.75	CCW	1	Large
21465-10	Helix, 3.75" CCW, Black	1 ¾	10	3.75	CCW	1	Large
21465-12	Helix, 3.75" CCW, Black	1 ½	12	3.75	CCW	1	Large
21465-15	Helix, 3.75" CCW, Black	1 ¼	15	3.75	CCW	1	Large

UNIVERSAL (FOOD/SNACK/CANDY) TRAY ILLUSTRATION



UNIVERSAL (FOOD/SNACK/CANDY) TRAY PARTS LIST (5-COLUMN SET-UP SHOWN)			
PART NO.	PART DESCRIPTION	QTY.	NOTE
1	Helix	5	Refer to Helix Section.
3001-03	Screw, Sheet Metal, Type B, #8-18 (3/8" Long)	4	
3009-02	Rivet, Pop, Steel, 1/8 (1/8" Grip)	12	
3019	Canoe Clip	12	
3020	Wire Tie, Standoff	1	
3021	Divider Cap	4	
3042-01	Wire Tie, Panel Mount	1	
3111	Helix Ejector	5	
3295-03	Rivet, Pop, Steel, 1/8, Domed, Plain	10	
20073	Tray Stop (Rh)	1	
20073-01	Tray Stop (Lh)	1	
20086	Motor, Single Helix (Service only)	5	
20133	Tray Divider Spring	4	
20147	Harness, Tray, 10 Column	1	
20202	Helix Alignment Device	5	Qty determined by set-up.
20220	Extrusion, Candy Pusher	8	
20221	Bar, Candy Pusher	4	
20465-01	Extrusion, Price Marker, Reduced Height	1	
20544	Tray Doubler, Ver. 2 (39")	1	
20545	Tray Corner, Ver. 2 (Rh)	1	
20545-01	Tray Corner, Ver. 2 (Lh)	1	
20614	Label Sheet, Reduced Height Price	1	Use on extrusion 20465-02 only
20796-01	Edge Trim, Tray Corner	1	
20955	Tray Body, Reduced Depth, (39")	1	23.89" Long.
20956	Tray Divider, Reduced Depth	4	For Tall Product
20984	Tray Divider, High, Reduced Depth		
20966	Helix Adapter, without Hub	5	
21064	Assembly, Reduced Depth, Rail	1	Right Side
21064-01	Assembly, Reduced Depth, Rail	1	Left Side
22040	Label Sheet, Numeric, Reduced Height, Location	1	For Numeric Keypad: Use on 20465-02
23007	Motor W/Home Circuit	8	